



Microwave Antenna Catalogue

1

C3微波天线系列 (P01-P07)
Ultra High Performance Antennas

2

C4微波天线系列 (P08-P10)
Extra High Performance Antenna

3

分瓣天线系列 (P11-P13)
Split Antennas

4

双频天线系列 (P14-P20)
Dual Band Antennas

5

IBT天线系列 (P21-P22)
IBT Antennas

6

OMT产品系列 (P23-P25)
OMT Product Series

7

合路器产品系列 (P26-P27)
Coupler Product Series

8

四口OMT产品系列 (P28-P29)
Four-port OMT Product Series

目录
contents

SLA0310S3S00A20/SLA0313S3S00A20/SLA0315S3S00A20
 SLA0318S3S00A20/SLA0323S3S00A20/SLA0326S3S00A20
 SLA0328S3S00A20/SLA0332S3S00A20/SLA0338S3S00A20
 SLA0342S3S00A20
 0.3M 超高性能天线 0.3m Ultra High Performance Antenna



口径Diameter : 0.3M 直扣式Direct Mount 单极化Single Polarization

频段Freq Band : 10W/13G/15G/18G/23G/28G/32G/38G/42G /80G

满足标准Regulatory Compliance : ETSI Class3

电性能指标 Electrical Properties

天线型号 Antenna model	频段 Freq Band	频率范围 Frequency Range(GHz)	增益 Gain(dBi)			驻波比/回 波损耗 VSWR/ Return Loss	3dB半 功率角 BW (°)	前后比 F/B Ratio (dB)	交叉极化 鉴别率 XPD(dB)	天线接口 Antenna Interface	满足标准 Regulatory Compliance
			低 Low	中 Mid	高 Top						
SLA0310S3S00A20	10W	10.125 ~ 11.7	28.7	29.4	30	1.3/17.7	5.5	55	30	UBR100	ETSI Class3
SLA0313S3S00A20	13G	12.75 ~ 13.25	30.8	30.9	31	1.3/17.7	4.7	56	30	UBR120	ETSI Class3
SLA0315S3S00A20	15G	14.4~15.35	32.1	32.3	32.5	1.3/17.7	4.1	60	30	UBR140	ETSI Class3
SLA0318S3S00A20	18G	17.7~19.7	33.6	34.2	34.8	1.3/17.7	3.2	63	30	UBR220	ETSI Class3
SLA0323S3S00A20	23G	21.2~23.6	35.3	35.8	36.2	1.3/17.7	2.7	62	30	UBR220	ETSI Class3
SLA0326S3S00A20	26G	24.0~26.5	36.5	37	37.5	1.3/17.7	2.4	63	30	UBR220	ETSI Class3
SLA0328S3S00A20	28G	27.5~29.5	37.7	38	38.3	1.3/17.7	2	64	30	UBR320	ETSI Class3
SLA0332S3S00A20	32G	31.8~33.4	38.7	39	39.3	1.3/17.7	1.8	58	30	UBR320	ETSI Class3
SLA0338S3S00A20	38G	37.0~40.0	39.6	40.1	40.5	1.3/17.7	1.6	61	30	UBR320	ETSI Class3B
SLA0342S3S00A20	42G	40.5~43.5	40.4	40.8	41.1	1.3/17.7	1.5	60	30	UG383 R400	ETSI Class3B
SLA0380S3S00A20	80G	71.0~86.0	45.0	46.0	47.0	1.5/14.0	0.8	63	30	UG387/ U R740	ETSI Class3

机械性能指标 Mechanical Properties

口径Diameter (m)	0.3
天线颜色Antenna Color	RAL 7035
天线罩类型Radome Options	Foam
方位调节Azimuth Adjustment	Coarse : 360 ° Fine : ±15 °
俯仰调节Elevation Adjustment	Fine : ±15 °
水平拉杆数量Side Struts, Included	0
抱杆直径Diameter of Mounting Pole (mm)	Φ51~Φ114
极限风速Wind Velocity Survival Rating (km/h)	320
工作风速Wind Velocity Operational (km/h)	200
冰负载Ice-load (mm)	25.4
工作温度Operational Temperature (°C)	-45~+60
净重Net Weight(Kg)	5.9±0.5
包装方式Packaging	Carton
包装尺寸Packaging Dimension(mm)	480*480*267



SLA067WS3S00A20/SLA0610S3S00A20/SLA0613S3S00A20
 SLA0615S3S00A20/SLA0618S3S00A20/SLA0623S3S00A20
 SLA0626S3S00A20/SLA0628S3S00A20/SLA0632S3S00A20
 SLA0638S3S00A20/SLA0642S3S00A20
 0.6M 超高性能天线 0.6m Ultra High Performance Antenna



口径Diameter : 0.6M 直扣式Direct Mount 单极化Single Polarization
 频段Freq Band : 7W/10W/13G/15G/18G/23G/26G/28G/32G/38G/42G/80G
 满足标准Regulatory Compliance : ETSI Class3

电性能指标 Electrical Properties

天线型号 Antenna model	频段 Freq Band	频率范围 Frequency Range(GHz)	增益 Gain(dBi)			驻波比/回 波损耗 VSWR/ Return Loss	3dB半 功率角 BW (°)	前后比 F/B Ratio (dB)	交叉极化 鉴别率 XPD(dB)	天线接口 Antenna Interface	满足标准 Regulatory Compliance
			低 Low	中 Mid	高 Top						
SLA067WS3S00A20	7W	7.125~8.5	30.6	31.3	31.9	1.3/17.7	4.7	57	30	UBR84	ETSI Class3
SLA0610S3S00A20	10W	10.125~11.7	33.5	34.5	35	1.3/17.7	3.3	61	30	UBR100	ETSI Class3
SLA0613S3S00A20	13G	12.75~13.25	35.8	36	36.2	1.3/17.7	2.7	61	30	UBR120	ETSI Class3
SLA0615S3S00A20	15G	14.4~15.35	36.7	37.1	37.3	1.3/17.7	2.4	65	30	UBR140	ETSI Class3
SLA0618S3S00A20	18G	17.7~19.7	38.6	39.4	39.8	1.3/17.7	1.8	67	30	UBR220	ETSI Class3
SLA0623S3S00A20	23G	21.2~23.6	40.2	40.7	41.2	1.3/17.7	1.55	66	30	UBR220	ETSI Class3
SLA0626S3S00A20	26G	24.0~26.5	41.5	42	42.5	1.3/17.7	1.3	68	30	UBR220	ETSI Class3
SLA0628S3S00A20	28G	27.5~29.5	42.5	42.8	43.2	1.3/17.7	1.2	69	30	UBR320	ETSI Class3
SLA0632S3S00A20	32G	31.8~33.4	43.2	43.5	43.8	1.3/17.7	1.1	63	30	UBR320	ETSI Class3
SLA0638S3S00A20	38G	37.0~40.0	44.6	45.2	45.8	1.3/17.7	0.9	66	30	UBR320	ETSI Class3B
SLA0642S3S00A20	42G	40.5~43.5	45.7	46	46.3	1.3/17.7	0.8	67	30	UG383 R400	ETSI Class3B
SLA0680S3S00A20	80G	71.0~86.0	50.0	50.5	51.0	1.5/14.0	0.5	68	30	UG387/ U R740	ETSI Class3

机械性能指标 Mechanical Properties

口径Diameter (m)	0.6
天线颜色Antenna Color	RAL 7035
天线罩类型Radome Options	Foam
方位调节Azimuth Adjustment	Coarse : 360° Fine : ±15°
俯仰调节Elevation Adjustment	Fine : ±15°
水平拉杆数量Side Struts, Included	0
抱杆直径Diameter of Mounting Pole (mm)	Φ114
极限风速Wind Velocity Survival Rating (km/h)	252
工作风速Wind Velocity Operational (km/h)	200
冰负载Ice-load (mm)	25.4
工作温度Operational Temperature (°C)	-45~+60
净重Net Weight(Kg)	12.5±0.5
包装方式Packaging	Carton(trapezoid)
包装尺寸Packaging Dimension(mm)	741*714*388



SLA096WS3S00A20/SLA097WS3S00A20/SLA0910S3S00A20
 SLA0913S3S00A20/SLA0915S3S00A20/SLA0918S3S00A20
 SLA0923S3S00A20/SLA0926S3S00A20
 0.9M 超高性能天线 0.9m Ultra High Performance Antenna



口径Diameter : 0.9M 直扣式Direct Mount 单极化Single Polarization
 频段Freq Band : 6W/7W/10W/13G/15G/18G/23G/26G
 满足标准Regulatory Compliance : ETSI Class3

电性能指标 Electrical Properties

天线型号 Antenna model	频段 Freq Band	频率范围 Frequency Range(GHz)	增益 Gain(dBi)			驻波比/回 波损耗 VSWR/ Return Loss	3dB半 功率角 BW (°)	前后比 F/B Ratio (dB)	交叉极化 鉴别率 XPD(dB)	天线接口 Antenna Interface	满足标准 Regulatory Compliance
			低 Low	中 Mid	高 Top						
SLA096WS3S00A20	6W	5.925~7.125	32	33.3	34.3	1.3/17.7	3.6	59	30	UDR70	ETSI Class3
SLA097WS3S00A20	7W	7.125~8.5	34.8	35.3	35.8	1.3/17.7	3	60	30	UBR84	ETSI Class3
SLA0910S3S00A20	10W	10.125 ~ 11.7	37.8	38.4	39	1.3/17.7	2.1	63	30	UBR100	ETSI Class3
SLA0913S3S00A20	13G	12.75 ~ 13.25	39.9	40	40.1	1.3/17.7	1.8	64	30	UBR120	ETSI Class3
SLA0915S3S00A20	15G	14.4~15.35	40.3	40.6	40.9	1.3/17.7	1.6	67	30	UBR140	ETSI Class3
SLA0918S3S00A20	18G	17.7~19.7	43.1	43.5	43.7	1.3/17.7	1.2	70	30	UBR220	ETSI Class3
SLA0923S3S00A20	23G	21.2~23.6	44.5	44.8	45	1.3/17.7	1	67	30	UBR220	ETSI Class3
SLA0926S3S00A20	26G	24.0~26.5	45.4	45.8	46.2	1.3/17.7	1	70	30	UBR220	ETSI Class3

机械性能指标 Mechanical Properties

口径Diameter (m)	0.9
天线颜色Antenna Color	RAL 7035
天线罩类型Radome Options	Foam
方位调节Azimuth Adjustment	Coarse : 360 ° Fine : ±15 °
俯仰调节Elevation Adjustment	Fine : ±15 °
水平拉杆数量Side Struts, Included	1
抱杆直径Diameter of Mounting Pole (mm)	Φ51~Φ114
极限风速Wind Velocity Survival Rating (km/h)	252
工作风速Wind Velocity Operational (km/h)	200
冰负载Ice-load (mm)	25.4
工作温度Operational Temperature (°C)	-45~+60
净重Net Weight(Kg)	21.6±1.0
包装方式Packaging	Wooden
包装尺寸Packaging Dimension(mm)	1100*525*1270



SLA126WS3S00A20/SLA127WS3S00A20/SLA1210S3S00A20
 SLA1213S3S00A20/SLA1215S3S00A20/SLA1218S3S00A20
 SLA1223S3S00A20/SLA1226S3S00A20
 1.2M 超高性能天线 1.2m Ultra High Performance Antenna



口径Diameter : 1.2M 直扣式Direct Mount 单极化Single Polarization
 频段Freq Band : 6W/7W/10W/13G/15G/18G/23G/26G
 满足标准Regulatory Compliance : ETSI Class3

电性能指标 Electrical Properties

天线型号 Antenna model	频段 Freq Band	频率范围 Frequency Range(GHz)	增益 Gain(dBi)			驻波比/回波损耗 VSWR/ Return Loss	3dB半功率角 BW (°)	前后比 F/B Ratio (dB)	交叉极化鉴别率 XPD(dB)	天线接口 Antenna Interface	满足标准 Regulatory Compliance
			低 Low	中 Mid	高 Top						
SLA126WS3S00A20	6W	5.925~7.125	34.5	35.6	36.5	1.3/17.7	2.5	62	30	UBR100	ETSI Class3
SLA127WS3S00A20	7W	7.125~8.5	36.9	37.4	37.7	1.3/17.7	2.2	63	30	UBR120	ETSI Class3
SLA1210S3S00A20	10W	10.125 ~ 11.7	40.2	40.7	41	1.3/17.7	1.5	67	30	UBR100	ETSI Class3
SLA1213S3S00A20	13G	12.75 ~ 13.25	41.9	42	42.1	1.3/17.7	1.3	68	30	UBR120	ETSI Class3
SLA1215S3S00A20	15G	14.4~15.35	42.8	43	43.2	1.3/17.7	1.2	71	30	UBR140	ETSI Class3
SLA1218S3S00A20	18G	17.7~19.7	44.4	44.7	45.1	1.3/17.7	0.9	73	30	UBR220	ETSI Class3
SLA1223S3S00A20	23G	21.2~23.6	45.8	46.2	46.5	1.3/17.7	0.8	74	30	UBR220	ETSI Class3
SLA1226S3S00A20	26G	24.0~26.5	46.6	47.1	47.6	1.3/17.7	0.6	75	30	UBR220	ETSI Class3

机械性能指标 Mechanical Properties

口径Diameter (m)	1.2
天线颜色Antenna Color	RAL 7035
天线罩类型Radome Options	Fabric
方位调节Azimuth Adjustment	Coarse : 360 ° Fine : ±10 °
俯仰调节Elevation Adjustment	Fine : ±10 °
水平拉杆数量Side Struts, Included	1
抱杆直径Diameter of Mounting Pole (mm)	Φ114
极限风速Wind Velocity Survival Rating (km/h)	252
工作风速Wind Velocity Operational (km/h)	200
冰负载Ice-load (mm)	25.4
工作温度Operational Temperature (°C)	-45~+60
净重Net Weight(Kg)	37.4±1.0
包装方式Packaging	Wooden
包装尺寸Packaging Dimension(mm)	1380*380*1550



SLA186WS3S00A20/SLA187WS3S00A20/SLA1810S3S00A20
 SLA1813S3S00A20/SLA1815S3S00A20/SLA1818S3S00A20
 SLA1823S3S00A20
 1.8M 超高性能天线 1.8m Ultra High Performance Antenna



口径Diameter : 1.8M 直扣式Direct Mount 单极化Single Polarization

频段Freq Band : 6W/7W/10W/13G/15G/18G/23G

满足标准Regulatory Compliance : ETSI Class3

电性能指标 Electrical Properties

天线型号 Antenna model	频段 Freq Band	频率范围 Frequency Range(GHz)	增益 Gain(dBi)			驻波比/回 波损耗 VSWR/ Return Loss	3dB半 功率角 BW (°)	前后比 F/B Ratio (dB)	交叉极化 鉴别率 XPD(dB)	天线接口 Antenna Interface	满足标准 Regulatory Compliance
			低 Low	中 Mid	高 Top						
SLA186WS3S00A20	6W	5.925~7.125	38.5	39.4	40.1	1.3/17.7	1.7	66	30	UBR100	ETSI Class3
SLA187WS3S00A20	7W	7.125~8.5	40.1	40.8	41.5	1.3/17.7	1.5	67	30	UBR120	ETSI Class3
SLA1810S3S00A20	10W	10.125~11.7	43.2	44	44.8	1.3/17.7	1	70	30	UBR100	ETSI Class3
SLA1813S3S00A20	13G	12.75~13.25	45.1	45.3	45.5	1.3/17.7	0.9	74	30	UBR120	ETSI Class3
SLA1815S3S00A20	15G	14.4~15.35	46.4	46.7	47	1.3/17.7	0.8	76	30	UBR140	ETSI Class3
SLA1818S3S00A20	18G	17.7~19.7	47.5	48	48.5	1.3/17.7	0.7	76	30	UBR220	ETSI Class3
SLA1823S3S00A20	23G	21.2~23.6	48.9	49.4	49.9	1.3/17.7	0.5	79	30	UBR220	ETSI Class3

机械性能指标 Mechanical Properties

口径Diameter (m)	1.8
天线颜色Antenna Color	RAL 7035
天线罩类型Radome Options	Fabric
方位调节Azimuth Adjustment	Coarse : 360 ° Fine : ±5 °
俯仰调节Elevation Adjustment	Fine : ±5 °
水平拉杆数量Side Struts, Included	1
抱杆直径Diameter of Mounting Pole (mm)	Φ114
极限风速Wind Velocity Survival Rating (km/h)	252
工作风速Wind Velocity Operational (km/h)	200
冰负载Ice-load (mm)	25.4
工作温度Operational Temperature (°C)	-45~+60
净重Net Weight(Kg)	95±2.0
包装方式Packaging	Wooden
包装尺寸Packaging Dimension(mm)	1991*450*2200



SLA2404S3S00B20/SLA2405S3S00B20

SLA246WS3S00B20/SLA247WS3S00B20

SLA2410S3S00B20/SLA2413S3S00B20

2.4M 超高性能天线 2.4m Ultra High Performance Antenna



口径Diameter : 2.4M 分离式Remote Mount 双极化Dual Polarization

频段Freq Band : 4G/5G/6W/7W/10W/13G

满足标准Regulatory Compliance : ETSI Class3

电性能指标 Electrical Properties

天线型号 Antenna model	频段 Freq Band	频率范围 Frequency Range(GHz)	增益 Gain(dBi)			驻波比/回 波损耗 VSWR/ Return Loss	3dB半 功率角 BW (°)	前后比 F/B Ratio (dB)	隔离度 ISO (dB)	交叉极化 鉴别率 XPD(dB)	天线接口 Antenna Interface	满足标准 Regulatory Compliance
			低 Low	中 Mid	高 Top							
SLA2404D3S00B20	4G	4.4~5.0	38.4	38.9	39.5	1.3/17.7	1.7	64	35	30	PDR48	ETSI Class3
SLA2405D3S00B20	5G	5.25~5.85	40	40.5	41	1.3/17.7	1.5	65	35	30	PDR58	ETSI Class3
SLA246WD3S00B20	6W	5.925~7.125	41.1	41.9	42.7	1.3/17.7	1.3	67	35	30	PDR70	ETSI Class3
SLA247WD3S00B20	7W	7.125~8.5	42.4	43.1	43.9	1.3/17.7	1.2	68	35	30	PBR84	ETSI Class3
SLA2410D3S00B20	10W	10.125~11.7	45.4	46.1	46.7	1.3/17.7	0.8	71	35	30	PBR100	ETSI Class3
SLA2413D3S00B20	13G	12.75~13.25	47.4	47.5	47.7	1.3/17.7	0.7	73	35	30	PBR120	ETSI Class3

机械性能指标 Mechanical Properties

口径Diameter (m)	2.4
天线颜色Antenna Color	RAL 7035
天线罩类型Radome Options	Fabric
方位调节Azimuth Adjustment	Coarse : 360 ° Fine : ±5 °
俯仰调节Elevation Adjustment	Fine : ±5 °
水平拉杆数量Side Struts, Included	2
抱杆直径Diameter of Mounting Pole (mm)	Φ114
极限风速Wind Velocity Survival Rating (km/h)	200
工作风速Wind Velocity Operational (km/h)	125
冰负载Ice-load (mm)	25.4
工作温度Operational Temperature (°C)	-45~+60
净重Net Weight(Kg)	226±6
包装方式Packaging	Wooden
包装尺寸Packaging Dimension(mm)	2690*1140*2550



SLA3004D3S00B20/SLA3005D3S00B20
 SLA306WD3S00B20/SLA307WD3S00B20
 SLA3010D3S00B20



3.0M 超高性能天线 3.0m Ultra High Performance Antenna

口径Diameter : 3.0M 分离式Remote Mount 双极化Dual Polarization

频段Freq Band : 4G/5G/6W/7W/10W 满足标准Regulatory Compliance : ETSI Class3

电性能指标 Electrical Properties

天线型号 Antenna model	频段 Freq Band	频率范围 Frequency Range(GHz)	增益 Gain(dBi)			驻波比/回波损耗 VSWR/ Return Loss	3dB半功率角 BW (°)	前后比 F/B Ratio (dB)	隔离度 ISO (dB)	交叉极化鉴别率 XPD(dB)	天线接口 Antenna Interface	满足标准 Regulatory Compliance
			低 Low	中 Mid	高 Top							
SLA3004D3S00B20	4G	4.4~5.0	40.3	40.8	41.4	1.3/17.7	1.5	66	35	30	PDR48	ETSI Class3
SLA3005D3S00B20	5G	5.25~5.85	41.7	42.2	42.7	1.3/17.7	1.2	67	35	30	PDR58	ETSI Class3
SLA306WD3S00B20	6W	5.925~7.125	42.8	43.6	44.4	1.3/17.7	1.1	68	35	30	PDR70	ETSI Class3
SLA307WD3S00B20	7W	7.125~8.5	44.4	45.1	45.9	1.3/17.7	0.9	70	35	30	PBR84	ETSI Class3
SLA3010D3S00B20	10W	10.125~11.7	47.2	47.9	48.5	1.3/17.7	0.6	73	35	30	PBR100	ETSI Class3

机械性能指标 Mechanical Properties

口径Diameter (m)	3.0
天线颜色Antenna Color	RAL 7035
天线罩类型Radome Options	Fabric
方位调节Azimuth Adjustment	Coarse : 360 ° Fine : ±5 °
俯仰调节Elevation Adjustment	Fine : ±5 °
水平拉杆数量Side Struts, Included	2
抱杆直径Diameter of Mounting Pole (mm)	Φ114
极限风速Wind Velocity Survival Rating (km/h)	200
工作风速Wind Velocity Operational (km/h)	125
冰负载Ice-load (mm)	25.4
工作温度Operational Temperature (°C)	-45~+60
净重Net Weight(Kg)	267±8
包装方式Packaging	Wood case
包装尺寸Packaging Dimension(mm)	3260*2270*2560



SLA0323S4S00A20/SLA0326S4S00A20

SLA0328S4S00A20/SLA0332S4S00A20

SLA0338S4S00A20/SLA0342S4S00A20

0.3M C4天线 0.3m Extra High Performance Antenna



口径Diameter : 0.3M 直扣式Direct Mount 单极化Single Polarization

频段Freq Band : 23G/26G/28G/32G/38G/42G

满足标准Regulatory Compliance : ETSI Class4

电性能指标 Electrical Properties

天线型号 Antenna model	频段 Freq Band	频率范围 Frequency Range(GHz)	增益 Gain(dBi)			驻波比/回波损耗 VSWR/ Return Loss	3dB半功率角 BW (°)	前后比 F/B Ratio (dB)	交叉极化鉴别率 XPD(dB)	天线接口 Antenna Interface	满足标准 Regulatory Compliance
			低 Low	中 Mid	高 Top						
SLA0323S4S00A20	23G	21.2~23.6	35.3	35.8	36.2	1.3/17.7	2.7	66	30	UBR220	ETSI Class4
SLA0326S4S00A20	26G	24.0~26.5	36.5	37	37.5	1.3/17.7	2.4	69	30	UBR220	ETSI Class4
SLA0328S4S00A20	28G	27.5~29.5	37.7	38	38.3	1.3/17.7	2	70	30	UBR320	ETSI Class4
SLA0332S4S00A20	32G	31.8~33.4	38.7	39	39.3	1.3/17.7	1.8	67	30	UBR320	ETSI Class4
SLA0338S4S00A20	38G	37.0~40.0	39.6	40.1	40.5	1.3/17.7	1.6	68	30	UBR320	ETSI Class4

机械性能指标 Mechanical Properties

口径Diameter (m)	0.3
天线颜色Antenna Color	RAL 7035
天线罩类型Radome Options	Foam
方位调节Azimuth Adjustment	Coarse : 360 ° Fine : ±15 °
俯仰调节Elevation Adjustment	Fine : ±15 °
水平拉杆数量Side Struts, Included	0
抱杆直径Diameter of Mounting Pole (mm)	Φ51~Φ114
极限风速Wind Velocity Survival Rating (km/h)	252
工作风速Wind Velocity Operational (km/h)	200
冰负载Ice-load (mm)	25.4
工作温度Operational Temperature (°C)	-45~+60
净重Net Weight(Kg)	6.7±0.5
包装方式Packaging	Carton
包装尺寸Packaging Dimension(mm)	480*460*390



SLA0615S4S00A20/SLA0618S4S00A20/SLA0623S4S00A20
 SLA0626S4S00A20/SLA0628S4S00A20/SLA0632S4S00A20
 SLA0638S4S00A20/SLA0642S4S00A20
 0.6M C4天线 0.6m Extra High Performance Antenna



口径Diameter : 0.6M 直扣式Direct Mount 单极化Single Polarization
 频段Freq Band : 15G/18G/23G/26G/28G/32G/38G/42G
 满足标准Regulatory Compliance : ETSI Class4

电性能指标 Electrical Properties

天线型号 Antenna model	频段 Freq Band	频率范围 Frequency Range(GHz)	增益 Gain(dBi)			驻波比/回 波损耗 VSWR/ Return Loss	3dB半 功率角 BW (°)	前后比 F/B Ratio (dB)	交叉极化 鉴别率 XPD(dB)	天线接口 Antenna Interface	满足标准 Regulatory Compliance
			低 Low	中 Mid	高 Top						
SLA0615S4S00A20	15G	14.4~15.35	36.7	37.1	37.3	1.3/17.7	2.4	68	30	UBR140	ETSI Class4
SLA0618S4S00A20	18G	17.7~19.7	38.6	39.4	39.8	1.3/17.7	1.8	70	30	UBR220	ETSI Class4
SLA0623S4S00A20	23G	21.2~23.6	40	40.5	41	1.3/17.7	1.55	71	30	UBR220	ETSI Class4
SLA0626S4S00A20	26G	24.0~26.5	41.5	42	42.5	1.3/17.7	1.3	74	30	UBR220	ETSI Class4
SLA0628S4S00A20	28G	27.5~29.5	42.5	42.8	43.2	1.3/17.7	1.2	76	30	UBR320	ETSI Class4
SLA0632S4S00A20	32G	31.8~33.4	43.2	43.5	43.8	1.3/17.7	1.1	71	30	UBR320	ETSI Class4
SLA0638S4S00A20	38G	37.0~40.0	44.6	45.2	45.8	1.3/17.7	0.9	71	30	UBR320	ETSI Class4
SLA0642S4S00A20	42G	40.5~43.5	45.7	46	46.3	1.3/17.7	0.8	71	30	UG383 R400	ETSI Class4

机械性能指标 Mechanical Properties

口径Diameter (m)	0.6
天线颜色Antenna Color	RAL 7035
天线罩类型Radome Options	Foam
方位调节Azimuth Adjustment	Coarse : 360 ° Fine : ±15 °
俯仰调节Elevation Adjustment	Fine : ±15 °
水平拉杆数量Side Struts, Included	0
抱杆直径Diameter of Mounting Pole (mm)	Φ114
极限风速Wind Velocity Survival Rating (km/h)	252
工作风速Wind Velocity Operational (km/h)	200
冰负载Ice-load (mm)	25.4
工作温度Operational Temperature (°C)	-45~+60
净重Net Weight(Kg)	10.5±0.5
包装方式Packaging	Carton
包装尺寸Packaging Dimension(mm)	790*760*580



SLA0913S4S00A20/SLA0915S4S00A20

SLA0918S4S00A20/SLA0923S4S00A20

SLA0926S4S00A20

0.9M C4天线 0.9m Extra High Performance Antenna



口径Diameter : 0.9M 直扣式Direct Mount 单极化Single Polarization

频段Freq Band : 13G/15G/18G/23G/26G

满足标准Regulatory Compliance : ETSI Class4

电性能指标 Electrical Properties

天线型号 Antenna model	频段 Freq Band	频率范围 Frequency Range(GHz)	增益 Gain(dBi)			驻波比/回波损耗 VSWR/ Return Loss	3dB半功率角 BW (°)	前后比 F/B Ratio (dB)	交叉极化鉴别率 XPD(dB)	天线接口 Antenna Interface	满足标准 Regulatory Compliance
			低 Low	中 Mid	高 Top						
SLA0913S4S00A20	13G	12.75-13.25	39.9	40	40.1	1.3/17.7	1.8	70	30	UBR120	ETSI Class4
SLA0915S4S00A20	15G	14.4-15.35	40.3	40.6	40.9	1.3/17.7	1.6	71	30	UBR140	ETSI Class4
SLA0918S4S00A20	18G	17.7-19.7	43.1	43.5	43.7	1.3/17.7	1.2	74	30	UBR220	ETSI Class4
SLA0923S4S00A20	23G	21.2-23.6	44.5	44.8	45	1.3/17.7	1	75	30	UBR220	ETSI Class4
SLA0926S4S00A20	26G	24.0-26.5	45.4	45.8	46.2	1.3/17.7	1	76	30	UBR220	ETSI Class4

机械性能指标 Mechanical Properties

口径Diameter (m)	0.9
天线颜色Antenna Color	RAL 7035
天线罩类型Radome Options	Foam
方位调节Azimuth Adjustment	Coarse : 360° Fine : ±15°
俯仰调节Elevation Adjustment	Fine : ±15°
水平拉杆数量Side Struts, Included	1
抱杆直径Diameter of Mounting Pole (mm)	Φ51~Φ114
极限风速Wind Velocity Survival Rating (km/h)	252
工作风速Wind Velocity Operational (km/h)	200
冰负载Ice-load (mm)	25.4
工作温度Operational Temperature (°C)	-45~+60
净重Net Weight(Kg)	27±2
包装方式Packaging	Wooden
包装尺寸Packaging Dimension(mm)	1256*560*1270



SLA2404D3P00B20/ SLA2405D3P00B20
 SLA246WD3P00B20/SLA247WD3P00B20
 SLA2410D3P00B20/ SLA2413D3P00B20
 2.4M分瓣天线 2.4m split Antenna



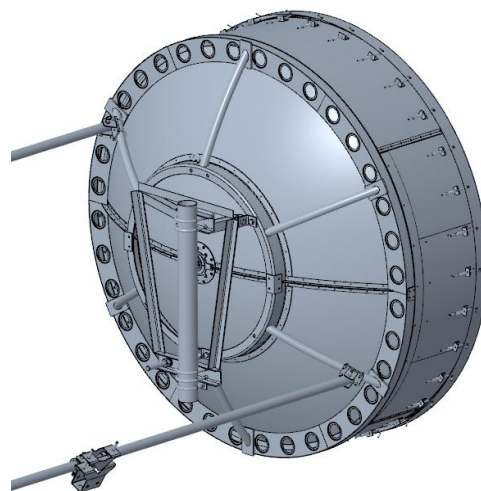
口径Diameter : 2.4M 分离式Remote Mount 分瓣 Split 双极化Dual Polarization
 频段Freq Band : 4G/5G/6W/7W/10W/13G 满足标准Regulatory Compliance : ETSI Class3

电性能指标 Electrical Properties

天线型号 Antenna model	频段 Freq Band	频率范围 Frequency Range(GHz)	增益 Gain(dBi)			驻波比/回 波损耗 VSWR/ Return Loss	3dB半 功率角 BW (°)	前后比 F/B Ratio (dB)	隔离度 ISO (dB)	交叉极化 鉴别率 XPD(dB)	天线接口 Antenna Interface	满足标准 Regulatory Compliance
			低 Low	中 Mid	高 Top							
SLA2404D3P00B20	4G	4.4-5.0	38.4	38.9	39.5	1.3/17.7	1.7	64	35	30	PDR48	ETSI Class3
SLA2405D3P00B20	5G	5.25-5.85	40	40.5	41	1.3/17.7	1.5	65	35	30	PDR58	ETSI Class3
SLA246WD3P00B20	6W	5.925-7.125	41.1	41.9	42.7	1.3/17.7	1.3	67	35	30	PDR70	ETSI Class3
SLA247WD3P00B20	7W	7.125-8.5	42.4	43.1	43.9	1.3/17.7	1.2	68	35	30	PBR84	ETSI Class3
SLA2410D3P00B20	10W	10.125-11.7	45.4	46.1	46.7	1.3/17.7	0.8	71	35	30	PBR100	ETSI Class3
SLA2413D3P00B20	13G	12.75-13.25	47.4	47.5	47.7	1.3/17.7	0.7	73	35	30	PBR120	ETSI Class3

机械性能指标 Mechanical Properties

口径Diameter (m)	2.4
天线颜色Antenna Color	RAL 7035
天线罩类型Radome Options	Fabric
方位调节Azimuth Adjustment	Coarse : 360° Fine : ±5°
俯仰调节Elevation Adjustment	Fine : ±5°
反射面结构Reflector Construction	Two-piece reflector
水平拉杆数量Side Struts, Included	2
抱杆直径Diameter of Mounting Pole (mm)	Φ114
极限风速Wind Velocity Survival Rating (km/h)	200
工作风速Wind Velocity Operational (km/h)	125
冰负载Ice-load (mm)	25.4
工作温度Operational Temperature (°C)	-45~+60
净重Net Weight(Kg)	234±6
包装方式Packaging	Wood case
包装尺寸Packaging Dimension(mm)	2800*760*1600



SLA3004D3P00B20/SLA3005D3P00B20
 SLA306WD3P00B20/SLA307WD3P00B20
 SLA3010D3P00B20
 3.0M分瓣天线 3.0m split antenna



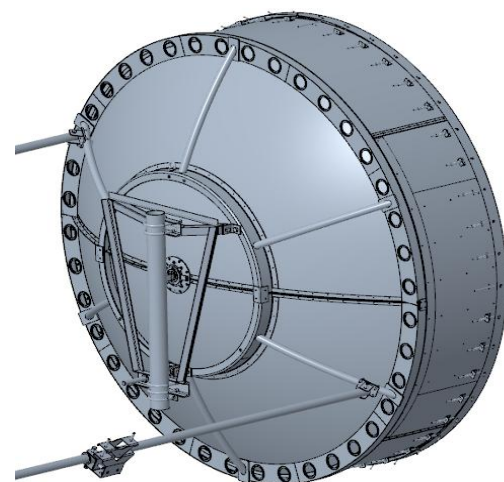
口径Diameter : 3.0M 分离式Remote Mount 分瓣 Split 双极化Dual Polarization
 频段Freq Band : 4G/5G/6W/7W/10W 满足标准Regulatory Compliance : ETSI Class3

电性能指标 Electrical Properties

天线型号 Antenna model	频段 Freq Band	频率范围 Frequency Range(GHz)	增益 Gain(dBi)			驻波比/回 波损耗 VSWR/ Return Loss	3dB半 功率角 BW (°)	前后比 F/B Ratio (dB)	隔离度 ISO (dB)	交叉极化 鉴别率 XPD(dB)	天线接口 Antenna Interface	满足标准 Regulatory Compliance
			低 Low	中 Mid	高 Top							
SLA3004D3P00B20	4G	4.4-5.0	40.3	40.8	41.4	1.3/17.7	1.5	66	35	30	PDR48	ETSI Class3
SLA3005D3P00B20	5G	5.25-5.85	41.7	42.2	42.7	1.3/17.7	1.2	67	35	30	PDR58	ETSI Class3
SLA306WD3P00B20	6W	5.925-7.125	42.8	43.6	44.4	1.3/17.7	1.1	68	35	30	PDR70	ETSI Class3
SLA307WD3P00B20	7W	7.125-8.5	44.4	45.1	45.9	1.3/17.7	0.9	70	35	30	PBR84	ETSI Class3
SLA3010D3P00B20	10W	10.125-11.7	47.2	47.9	48.5	1.3/17.7	0.6	73	35	30	PBR100	ETSI Class3

机械性能指标 Mechanical Properties

口径Diameter (m)	3.0
天线颜色Antenna Color	RAL 7035
天线罩类型Radome Options	Fabric
方位调节Azimuth Adjustment	Coarse : 360° Fine : ±5°
俯仰调节Elevation Adjustment	Fine : ±5°
反射面结构Reflector Construction	Two-piece reflector
水平拉杆数量Side Struts, Included	2
抱杆直径Diameter of Mounting Pole (mm)	Φ114
极限风速Wind Velocity Survival Rating (km/h)	200
工作风速Wind Velocity Operational (km/h)	125
冰负载Ice-load (mm)	25.4
工作温度Operational Temperature (°C)	-45~+60
净重Net Weight(Kg)	274±8
包装方式Packaging	Wood case
包装尺寸Packaging Dimension(mm)	3420*760*1900



SLA3704D3P00B20/SLA3705D3P00B20
 SLA376WD3P00B20/SLA377WD3P00B20
 3.7M分瓣天线 3.7m split antenna



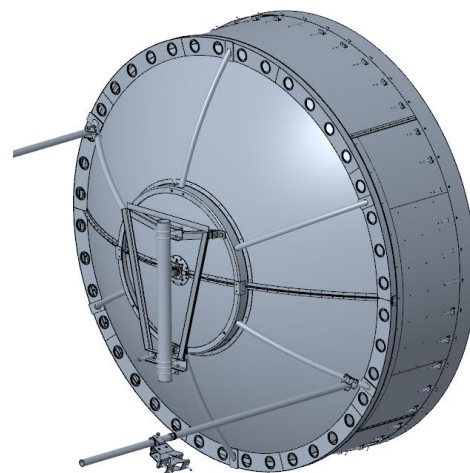
口径Diameter : 3.7M 分离式Remote Mount 分瓣 Split 双极化Dual Polarization
 频段Regulatory Compliance : 4G/5G/6W/7W/10W
 满足标准Regulatory Compliance : ETSI Class3

电性能指标 Electrical Properties

天线型号 Antenna model	频段 Freq Band	频率范围 Frequency Range(GHz)	增益 Gain(dBi)			驻波比/回波损耗 VSWR/ Return Loss	3dB半功率角 BW (°)	前后比 F/B Ratio (dB)	隔离度 ISO (dB)	交叉极化鉴别率 XPD(dB)	天线接口 Antenna Interface	满足标准 Regulatory Compliance
			低 Low	中 Mid	高 Top							
SLA3704D3P00B20	4G	4.4-5.0	41.6	42.2	42.8	1.3/17.7	1.2	67	35	30	PDR48	ETSI Class3
SLA3705D3P00B20	5G	5.25-5.85	43.2	43.7	43.1	1.3/17.7	1	69	35	30	PDR58	ETSI Class3
SLA376WD3P00B20	6W	5.925-7.125	44.4	45.2	46	1.3/17.7	0.8	70	35	30	PDR70	ETSI Class3
SLA377WD3P00B20	7W	7.125-8.5	46	46.7	47.5	1.3/17.7	0.7	71	35	30	PBR84	ETSI Class3

机械性能指标 Mechanical Properties

口径Diameter (m)	3.7
天线颜色Antenna Color	RAL 7035
天线罩类型Radome Options	Fabric
方位调节Azimuth Adjustment	Coarse : 360° Fine : ±5°
俯仰调节Elevation Adjustment	Fine : ±5°
反射面结构Reflector Construction	Two-piece reflector
水平拉杆数量Side Struts, Included	2
抱杆直径Diameter of Mounting Pole (mm)	Φ114
极限风速Wind Velocity Survival Rating (km/h)	200
工作风速Wind Velocity Operational (km/h)	125
冰负载Ice-load (mm)	25.4
工作温度Operational Temperature (°C)	-45~+60
净重Net Weight(Kg)	340±8
包装方式Packaging	Wood case
包装尺寸Packaging Dimension(mm)	3980*1120*2250



SLM03D18D8000A20/SLM03D23D8000A20
 SLM03D28D8000A20/SLM03D32D8000A20
 SLM03D38D8000A20/SLM03D80D8000A20
 0.3m双频天线 0.3m Dual Band Antenna



口径Diameter : 0.3M 直扣式Direct Mount 双极化Dual Polarization 双频Dual Band
 频段Freq Band : 18G/23G/28G/32G/38G&80G
 满足标准Regulatory Compliance : ETSI Class3

电性能指标 Electrical Properties

天线型号 Antenna model	频段 Freq Band	频率范围 Frequency Range(GHz)	增益 Gain(dBi)			驻波比/回 波损耗 VSWR/ Return Loss	3dB半 功率角 BW (°)	前后比 F/B Ratio (dB)	隔离度 ISO (dB)	交叉极化 鉴别率 XPD(dB)	天线接口 Antenna Interface	满足标准 Regulatory Compliance
			低 Low	中 Mid	高 Top							
SLM03D18D8000A20	18	17.7~19.7	32	32.6	33.2	1.5/14	2.9	61	35	30	UBR220	ETSI Class3
SLM03D23D8000A20	23	21.2~23.6	33.7	34.2	34.6	1.5/14	2.5	58	35	30	UBR220	ETSI Class3
SLM03D28D8000A20	28	27.5~29.5	35.9	36.2	36.5	1.8/10.9	1.9	63	35	30	UBR320	ETSI Class3
SLM03D32D8000A20	32	31.8~33.4	36.7	37	37.3	2/9.5	1.6	58	35	30	UBR320	ETSI Class3B
SLM03D38D8000A20	38	37~40	37.6	38.1	38.5	2.3/8	1.4	61	35	30	UBR320	ETSI Class3B
SLM03D80D8000A20	80	71~86	43.5	44	44.5	1.5/14	0.8	63	35	30	UG387/ U R740	ETSI Class3

机械性能指标 Mechanical Properties

口径Diameter (m)	0.3
天线颜色Antenna Color	RAL 7035
天线罩类型Radome Options	Foam
方位调节Azimuth Adjustment	Coarse : 360 ° Fine : ±15 °
俯仰调节Elevation Adjustment	Fine : ±15 °
水平拉杆数量Side Struts, Included	0
抱杆直径Diameter of Mounting Pole (mm)	Φ114
极限风速Wind Velocity Survival Rating (km/h)	252
工作风速Wind Velocity Operational (km/h)	180
冰负载Ice-load (mm)	25.4
工作温度Operational Temperature (°C)	-45~+60
包装方式Packaging	Carton
包装尺寸Packaging Dimension(mm)	758*526*460



SLM06D15D8000A20/SLM06D18D8000A20/SLM06D23D8000A20
 SLM06D28D8000A20/SLM06D32D8000A20
 SLM06D38D8000A20/ SLM06D80D8000A20
 0.6m双频天线 0.6m Dual Band Antenna



口径Diameter : 0.6M 直扣式Direct Mount 双极化Dual Polarization 双频Dual Band
 频段Freq Band : 15G/18G/23G/28G/32G/38G&80G
 满足标准Regulatory Compliance : ETSI Class3

电性能指标 Electrical Properties

天线型号 Antenna model	频段 Freq Band	频率范围 Frequency Range(GHz)	增益 Gain(dBi)			驻波比/回 波损耗 VSWR/ Return Loss	3dB半 功率角 BW (°)	前后比 F/B Ratio (dB)	隔离度 ISO (dB)	交叉极化 鉴别率 XPD(dB)	天线接口 Antenna Interface	满足标准 Regulatory Compliance
			低 Low	中 Mid	高 Top							
SLM06D15D8000A20	15	14.4~15.35	35.1	35.4	35.8	1.5/14	2.1	63	35	30	PBR140	ETSI Class3
SLM06D18D8000A20	18	17.7~19.7	37	37.8	38.2	1.5/14	1.5	65	35	30	PBR220	ETSI Class3
SLM06D23D8000A20	23	21.2~23.6	38.6	39.1	39.6	1.5/14	1.2	67	35	30	PBR220	ETSI Class3
SLM06D28D8000A20	28	27.5~29.5	40.7	41	41.4	1.8/10.9	1.1	67	35	30	UBR320	ETSI Class3
SLM06D32D8000A20	32	31.8~33.4	41.2	41.5	41.8	1.8/10.9	0.9	63	35	30	UBR320	ETSI Class3B
SLM06D38D8000A20	38	37~40	42.6	43.2	43.8	2.3/8	0.8	68	35	30	UBR320	ETSI Class3B
SLM06D80D8000A20	80	71~86	48	48.5	49	1.5/14	0.4	67	35	30	R740	ETSI Class3

机械性能指标 Mechanical Properties

口径Diameter (m)	0.6
天线颜色Antenna Color	RAL 7035
天线罩类型Radome Options	Foam
方位调节Azimuth Adjustment	Coarse : 360° Fine : ±15°
俯仰调节Elevation Adjustment	Fine : ±15°
水平拉杆数量Side Struts, Included	0
抱杆直径Diameter of Mounting Pole (mm)	Φ114
极限风速Wind Velocity Survival Rating (km/h)	252
工作风速Wind Velocity Operational (km/h)	180
冰负载Ice-load (mm)	25.4
工作温度Operational Temperature (°C)	-45~+60
包装方式Packaging	Carton
包装尺寸Packaging Dimension(mm)	763*763*741



SLM09D6WD7W00B20

6W&7W双频天线 6W&7W Dual Band Antenna



口径Diameter : 0.9M 分离式Remote Mount 双极化Dual Polarization 双频Dual Band
 频段Freq Band : 6W/7W 满足标准Regulatory Compliance : ETSI Class3

电性能指标 Electrical Properties

天线型号 Antenna model	频段 Freq Band	频率范围 Frequency Range(GHz)	增益 Gain(dBi)			驻波比/回波损耗 VSWR/ Return Loss	3dB半功率角 BW (°)	前后比 F/B Ratio (dB)	隔离度 ISO (dB)	交叉极化鉴别率 XPD(dB)	天线接口 Antenna Interface	满足标准 Regulatory Compliance
			低 Low	中 Mid	高 Top							
SLM09D6WD7W00B20	6W	5.925-7.075	31.2	32.5	33.5	1.5/-14	3.6	59	35	30	UDR70	ETSI Class3
	7W	7.175-8.5	33.5	34.5	35	1.5/-14	3	60	35	30	UBR84	ETSI Class3

机械性能指标 Mechanical Properties

口径Diameter (m)	0.9
天线颜色Antenna Color	RAL 7035
天线罩类型Radome Options	Foam
水平拉杆数量Side Struts, Included	1
方位调节Azimuth Adjustment	Coarse : 360 ° Fine : ±15 °
俯仰调节Elevation Adjustment	Fine : ±15 °
抱杆直径Diameter of Mounting Pole (mm)	Φ51~Φ114
极限风速Wind Velocity Survival Rating (km/h)	252
工作风速Wind Velocity Operational (km/h)	200
冰负载Ice-load (mm)	25.4
工作温度Operational Temperature (°C)	-45~+60
包装方式Packaging	Wooden
包装尺寸Packaging Dimension(mm)	1106*525*1270



SLM12D6WD7W00B20

6W&7W双频天线 6W&7W Dual Band Antenna



口径Diameter : 1.2M 分离式Remote Mount 双极化Dual Polarization 双频Dual Band
 频段Freq Band : 6W/7W 满足标准Regulatory Compliance : ETSI Class3

电性能指标 Electrical Properties

天线型号 Antenna model	频段 Freq Band	频率范围 Frequency Range(GHz)	增益 Gain(dBi)			驻波比/回波损耗 VSWR/Return Loss	3dB半功率角 HPBW (°)	前后比 F/B Ratio (dB)	隔离度 ISO (dB)	交叉极化鉴别率 XPD(dB)	天线接口 Antenna Interface	满足标准 Regulatory Compliance
			低 Low	中 Mid	高 Top							
SLM12D6WD7W00B20	6W	5.925-7.075	33.7	35	35.7	1.5/-14	2.5	62	35	30	UDR70	ETSI Class3
	7W	7.175-8.5	35.7	36.6	36.9	1.5/-14	2.2	63	35	30	UBR84	ETSI Class3

机械性能指标 Mechanical Properties

口径Diameter (m)	1.2
天线颜色Antenna Color	RAL 7035
天线罩类型Radome Options	Fabric
水平拉杆数量Side Struts, Included	1
方位调节Azimuth Adjustment	Coarse : 360 ° Fine : ±10 °
俯仰调节Elevation Adjustment	Fine : ±10 °
抱杆直径Diameter of Mounting Pole (mm)	Φ114
极限风速Wind Velocity Survival Rating (km/h)	252
工作风速Wind Velocity Operational (km/h)	200
冰负载Ice-load (mm)	25.4
工作温度Operational Temperature (°C)	-45~+60
包装方式Packaging	Wooden
包装尺寸Packaging Dimension(mm)	1380*380*1550



SLM18D6WD7W00B20

6W&7W双频天线 6W&7W Dual Band Antenna



口径Diameter : 1.8M 分离式Remote Mount 双极化Dual Polarization 双频Dual Band
 频段Freq Band : 6W/7W 满足标准Regulatory Compliance : ETSI Class3

电性能指标 Electrical Properties

天线型号 Antenna model	频段 Freq Band	频率范围 Frequency Range(GHz)	增益 Gain(dBi)			驻波比/回 波损耗 VSWR/ Return Loss	3dB半 功率角 BW (°)	前后比 F/B Ratio (dB)	隔离度 ISO (dB)	交叉极化 鉴别率 XPD(dB)	天线接口 Antenna Interface	满足标准 Regulatory Compliance
			低 Low	中 Mid	高 Top							
SLM18D6WD7W00B20	6W	5.925-7.075	37.7	38.6	39.3	1.5/-14	1.7	65	35	30	UDR70	ETSI Class3
	7W	7.175-8.5	39.3	40	40.7	1.5/-14	2.5	66	35	30	UBR84	ETSI Class3

机械性能指标 Mechanical Properties

口径Diameter (m)	1.8
天线颜色Antenna Color	RAL 7035
天线罩类型Radome Options	Fabric
水平拉杆数量Side Struts, Included	1
方位调节Azimuth Adjustment	Coarse : 360 ° Fine : ±5 °
俯仰调节Elevation Adjustment	Fine : ±5 °
抱杆直径Diameter of Mounting Pole (mm)	Φ114
极限风速Wind Velocity Survival Rating (km/h)	252
工作风速Wind Velocity Operational (km/h)	200
冰负载Ice-load (mm)	25.4
工作温度Operational Temperature (°C)	-45~+60
包装方式Packaging	Wooden
包装尺寸Packaging Dimension(mm)	1991*550*2200



SLM24D6WD7W00B20

6W&7W双频天线 6W&7W Dual Band Antenna



口径Diameter : 2.4M 分离式Remote Mount 双极化Dual Polarization 双频Dual Band
 频段Freq Band : 6W/7W 满足标准Regulatory Compliance : ETSI Class3

电性能指标 Electrical Properties

天线型号 Antenna model	频段 Freq Band	频率范围 Frequency Range(GHz)	增益 Gain(dBi)			驻波比/回 波损耗 VSWR/ Return Loss	3dB半 功率角 BW (°)	前后比 F/B Ratio (dB)	隔离度 ISO (dB)	交叉极化 鉴别率 XPD(dB)	天线接口 Antenna Interface	满足标准 Regulatory Compliance
			低 Low	中 Mid	高 Top							
SLM24D6WD7W00B20	6W	5.925-7.075	40.3	41.1	41.9	1.5/-14	1.3	68	35	30	UDR70	ETSI Class3
	7W	7.175-8.5	41.9	42.3	43.1	1.5/-14	1.2	69	35	30	UBR84	ETSI Class3

机械性能指标 Mechanical Properties

口径Diameter (m)	2.4
天线颜色Antenna Color	RAL 7035
天线罩类型Radome Options	Fabric
水平拉杆数量Side Struts, Included	2
方位调节Azimuth Adjustment	Coarse : 360 ° Fine : ±5 °
俯仰调节Elevation Adjustment	Fine : ±5 °
抱杆直径Diameter of Mounting Pole (mm)	Φ114
极限风速Wind Velocity Survival Rating (km/h)	200
工作风速Wind Velocity Operational (km/h)	110
冰负载Ice-load (mm)	25.4
工作温度Operational Temperature (°C)	-45~+60
包装方式Packaging	Wooden
包装尺寸Packaging Dimension(mm)	2690*1140*2550



SLM30D6WD7W00B20

6W&7W双频天线 6W&7W Dual Band Antenna



口径Diameter : 3.0M 分离式Remote Mount 双极化Dual Polarization 双频Dual Band
 频段Freq Band : 6W/7W 满足标准Regulatory Compliance : ETSI Class3

电性能指标 Electrical Properties

天线型号 Antenna model	频段 Freq Band	频率范围 Frequency Range(GHz)	增益 Gain(dBi)			驻波比/回 波损耗 VSWR/ Return Loss	3dB半 功率角 BW (°)	前后比 F/B Ratio (dB)	隔离度 ISO (dB)	交叉极化 鉴别率 XPD(dB)	天线接口 Antenna Interface	满足标准 Regulatory Compliance
			低 Low	中 Mid	高 Top							
SLM30D6WD7W00B20	6W	5.925-7.075	42	42.8	43.6	1.5/-14	1.1	69	35	30	UDR70	ETSI Class3
	7W	7.175-8.5	43.6	44.3	45.1	1.5/-14	0.9	71	35	30	UBR84	ETSI Class3

机械性能指标 Mechanical Properties

口径Diameter (m)	3.0
天线颜色Antenna Color	RAL 7035
天线罩类型Radome Options	Fabric
拉杆数量Side Struts, Included	2
方位调节Azimuth Adjustment	Coarse : 360 ° Fine : ±5 °
俯仰调节Elevation Adjustment	Fine : ±5 °
抱杆直径Diameter of Mounting Pole (mm)	Φ114
极限风速Wind Velocity Survival Rating (km/h)	200
工作风速Wind Velocity Operational (km/h)	110
冰负载Ice-load (mm)	25.4
工作温度Operational Temperature (°C)	-45~+60
包装方式Packaging	Wooden
包装尺寸Packaging Dimension(mm)	3260*2270*2560



SLA0680S3Z03A10

80G0.6m IBT天线 80G0.6m IBT antenna



口径Diameter : 0.6M 直扣式Direct Mount 单极化Single Polarization/双极化Dual Polarization

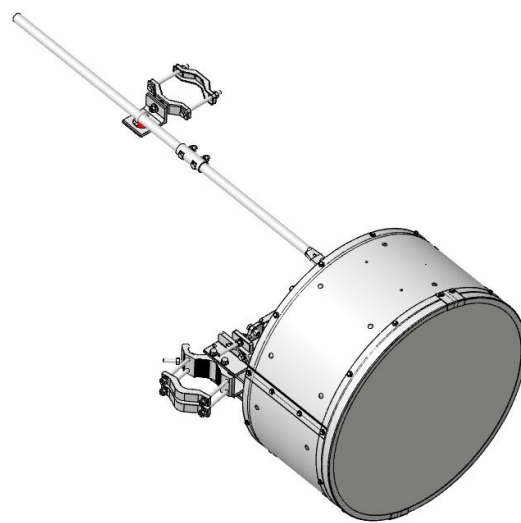
频段Freq Band : 80G 满足标准Regulatory Compliance : ETSI Class3

电性能指标 Electrical Properties

天线型号 Antenna model	频段 Freq Band	频率范围 Frequency Range(GHz)	增益 Gain(dBi)			驻波比/回波损耗 VSWR/ Return Loss	3dB半功率角 BW (°)	前后比 F/B Ratio (dB)	隔离度 ISO (dB)	交叉极化鉴别率 XPD(dB)	天线接口 Antenna Interface	满足标准 Regulatory Compliance
			低 Low	中 Mid	高 Top							
SLA0680S3Z03A10	80G	71 ~ 86	49.5	50	50.5	1.5/-14	0.5	68	/	30	UG387/ U/R740	ETSI Class3
SLA0680D3Z03A10	80G	71 ~ 86	48.0	48.5	49.0	1.5/-14	0.5	68	35	30	UG387/ U/R740	ETSI Class3

机械性能指标 Mechanical Properties

口径Diameter (m)	0.6
天线颜色Antenna Color	RAL 7035
天线罩类型Radome Options	Foam
拉杆数量Side Struts, Included	1
方位调节Azimuth Adjustment	Coarse : 360 ° Fine : ±15°
俯仰调节Elevation Adjustment	Fine : ±6°
抱杆直径Diameter of Mounting Pole (mm)	Φ114
极限风速Wind Velocity Survival Rating (km/h)	252
工作风速Wind Velocity Operational (km/h)	164
冰负载Ice-load (mm)	25.4
工作温度Operational Temperature (°C)	-45 ~ +60
包装方式Packaging	Carton
包装尺寸Packaging Dimension(mm)	753*753*641



SLA0680S3Z03A10

80G0.9m IBT天线 80G0.9m IBT antenna



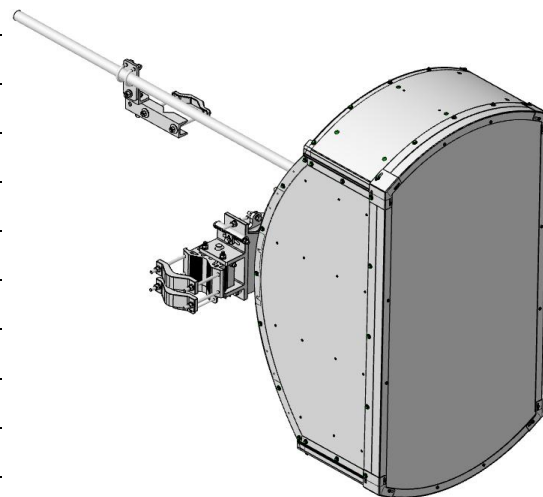
口径Diameter : 0.9M 直扣式Direct Mount 单极化Single Polarization/双极化Dual Polarization
 频段Freq Band : 80G 满足标准Regulatory Compliance : ETSI Class2

电性能指标 Electrical Properties

天线型号 Antenna model	频段 Freq Band	频率范围 Frequency Range(GHz)	增益 Gain(dBi)			驻波比/回波损耗 VSWR/ Return Loss	3dB半功率角 BW (°)	前后比 F/B Ratio (dB)	隔离度 ISO (dB)	交叉极化鉴别率 XPD(dB)	天线接口 Antenna Interface	满足标准 Regulatory Compliance
			低 Low	中 Mid	高 Top							
SLA0980S3Z03A10	80G	71 ~ 86	52.5	53	53.5	1.5/-14	0.2(俯仰面) /0.4 (方位面)	65	/	30	UG387/U/R740	ETSI Class2
SLA0980D3Z03A10	80G	71 ~ 86	51	51.5	52	1.5/-14	0.2(俯仰面) /0.4 (方位面)	65	35	30	UG387/U/R740	ETSI Class2

机械性能指标 Mechanical Properties

口径Diameter (m)	0.9
天线颜色Antenna Color	RAL 7035
天线罩类型Radome Options	Foam
水平拉杆数量Side Struts, Included	1
方位调节Azimuth Adjustment	Coarse : 360 ° Fine : ±15°
俯仰调节Elevation Adjustment	Fine : ±6°
抱杆直径Diameter of Mounting Pole (mm)	Φ114
极限风速Wind Velocity Survival Rating (km/h)	252
工作风速Wind Velocity Operational (km/h)	164
冰负载Ice-load (mm)	25.4
工作温度Operational Temperature (°C)	-45~+60
包装方式Packaging	Wood case
包装尺寸Packaging Dimension(mm)	1470*797*989



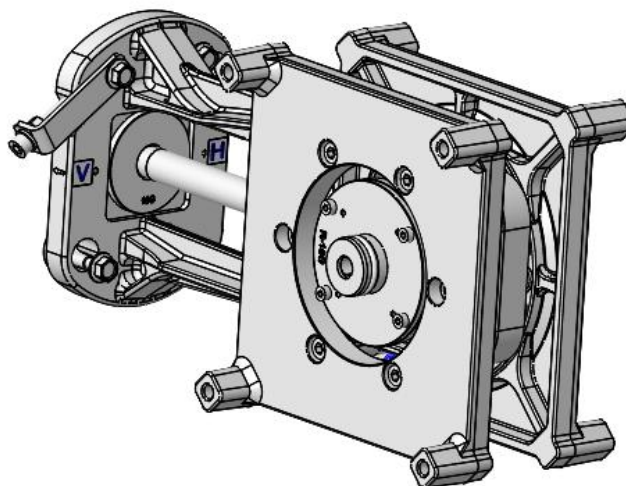
频段Freq Band : 7WG/10G/13G/15G/18G/23G/26G/28G/32G/38G/42G/80G

电性能指标 Electrical Properties

产品型号	频段	频率范围	插入损耗	驻波比	短路IPI	天线端口	ODU端口
Product Model	Frequency Band	Frequency Range(GHz)	Loss(dB)	VSWR*	Shrot IPI(dB)	Antenna port interface (mm)	ODU port interface
SLOMT7WA0020	7WG	7.125~8.5	0.4	1.3	35	Φ27.8	154IEC-R84
SLOMT10A0020	10G	10.125~11.7	0.4	1.3	35	Φ19.91	154IEC-R100
SLOMT13A0020	13G	12.75~13.25	0.4	1.3	35	Φ16.71	154IEC-R120
SLOMT15A0020	15G	14.4~15.35	0.4	1.3	35	Φ14.61	154IEC-R140
SLOMT18A0020	18G	17.7~19.7	0.6	1.3	35	Φ11.62	154IEC-R220
SLOMT23A0020	23G	21.2~23.6	0.6	1.3	35	Φ9.7	154IEC-R220
SLOMT26A0020	26G	24.25~26.5	0.8	1.3	35	Φ8.56	154IEC-R220
SLOMT28A0020	28G	27.5~29.5	0.8	1.3	35	Φ7.62	154IEC-R320
SLOMT32A0020	32G	31.8~33.4	1	1.3	35	Φ6.67	154IEC-R320
SLOMT38A0020	38G	37~40	1	1.3	35	Φ5.56	154IEC-R320
SLOMT42A0020	42G	40.5~43.5	1.2	1.5	35	Φ5.17	154IEC-R400
SLOMT80A0020	80G	71~86	1.5	1.5*	35	Φ3.0	154IEC-R740

机械性能指标 Mechanical Properties

外部颜色Outside Color	RAL7035
工作温度Operational Temperature(°C)	-45°C ~ 60°C
毛重Gross Weight,(kg)	3.6±0.5
净重Net Weight,(kg)	3.1±0.5
包装尺寸Packaging Dimension(mm)	390x275x225



OMT系列 (2)
分离式OMT
Separated OMT



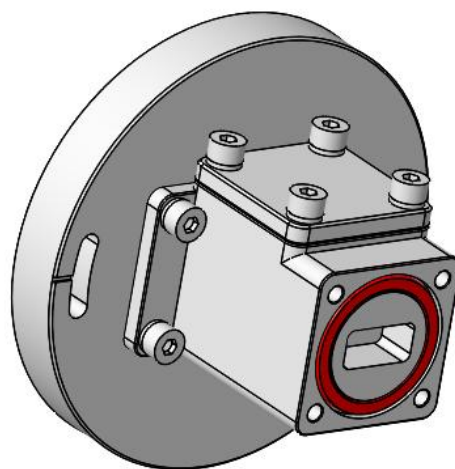
频段Freq Band:6WG/7WG/10G/13G/15G/18G/23G/26G/28G/32G/38G

电性能指标 Electrical Properties

产品型号	频段	频率范围	插入损耗	驻波比	短路IPI	天线端接口	ODU端接口
Product Model	Frequency Band	Frequency Range(GHz)	Loss(dB)	VSWR*	Shrot IPI(dB)	Antenna port interface (mm)	ODU port interface
SLOMT6WB0020	6WG	5.925~7.125	0.2	1.3	35	Φ33.28	154IEC-R70
SLOMT7WB0020	7WG	7.125~8.5	0.2	1.3	35	Φ27.8	154IEC-R84
SLOMT10B0020	10G	10.125~11.7	0.2	1.3	35	Φ19.91	154IEC-R100
SLOMT13B0020	13G	12.75~13.25	0.2	1.3	35	Φ16.71	154IEC-R120
SLOMT15B0020	15G	14.4~15.35	0.2	1.3	35	Φ14.61	154IEC-R140
SLOMT18B0020	18G	17.7~19.7	0.3	1.3	35	Φ11.62	154IEC-R220
SLOMT23B0020	23G	21.2~23.6	0.3	1.3	35	Φ9.7	154IEC-R220
SLOMT26B0020	26G	24.25~26.5	0.3	1.3	35	Φ8.56	154IEC-R220
SLOMT28B0020	28G	27.5~29.5	0.3	1.3	35	Φ7.62	154IEC-R320
SLOMT32B0020	32G	31.8~33.4	0.3	1.3	35	Φ6.67	154IEC-R320
SLOMT38B0020	38G	37~40	0.3	1.3	35	Φ5.56	154IEC-R320

机械性能指标 Mechanical Properties

外部颜色Outside Color	RAL7035
工作温度Operational Temperature(°C)	-45°C ~ 60°C
毛重Gross Weight,(kg)	0.7±0.3
净重Net Weight,(kg)	0.5±0.3(6-38G)
包装尺寸Packaging Dimension(mm)	135x135x186



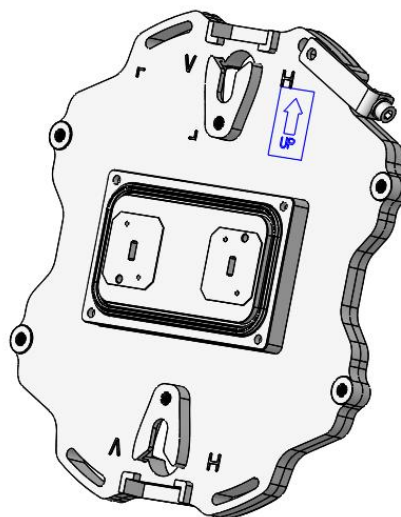
频段Freq Band:6WG/7WG/10G/13G/15G/18G/23G/32G/38G

电性能指标 Electrical Properties

产品型号	频段	频率范围	插入损耗	驻波比	短路IPI	天线端接口	ODU端接口
Product Model	Frequency Band	Frequency Range(GHz)	Loss(dB)	VSWR*	Shrot IPI(dB)	Antenna portinterface (mm)	ODU port interface
SLOMT6WF0020	6WG	5.925~7.125	0.3	1.3	35	Φ33.28	154IEC-R84
SLOMT7WF0020	7WG	7.125~8.5	0.3	1.3	35	Φ27.8	154IEC-R84
SLOMT10F0020	10G	10.125~11.7	0.3	1.3	35	Φ19.91	154IEC-R100
SLOMT13F0020	13G	12.75~13.25	0.3	1.3	35	Φ16.71	154IEC-R120
SLOMT15F0020	15G	14.4~15.35	0.3	1.3	35	Φ14.61	154IEC-R140
SLOMT18F0020	18G	17.7~19.7	0.4	1.3	35	Φ11.62	154IEC-R220
SLOMT23F0020	23G	21.2~23.6	0.6	1.3	35	Φ9.7	154IEC-R220
SLOMT32F0020	32G	31.8~33.4	1	1.3	35	Φ6.67	154IEC-R320
SLOMT38F0020	38G	37~40	1	1.3	35	Φ5.56	154IEC-R320

机械性能指标 Mechanical Properties

外部颜色Outside Color	RAL7035
工作温度Operational Temperature(°C)	-45°C ~ 60°C
毛重Gross Weight,(kg)	3.6±0.5
净重Net Weight,(kg)	3.1±0.5
包装尺寸Packaging Dimension(mm)	340x340x115



合路器产品系列 (1)

3dB 合路器

3dB Coupler



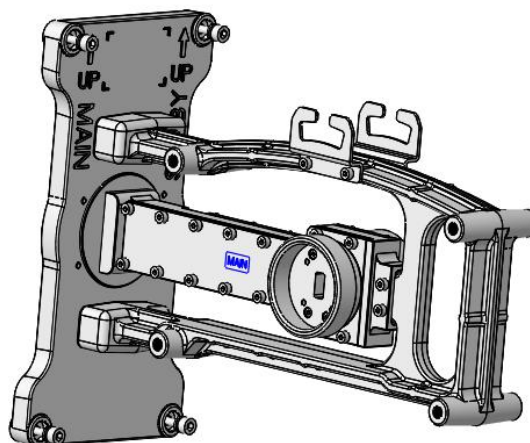
频段 Freq Band: 6WG/7WG/10G/13G/15G/18G/23G/26G/28G/32G/38G/42G

电性能指标 Electrical Properties

产品型号	频段	频率范围	插入损耗	损耗波动	驻波比	短路IPI	接口法兰
Product Model	Frequency Band	Frequency Range(GHz)	Insert Loss(dB)	Loss Vibration	VSWR	Shrot IPI(dB)	Interface Flange
SLHYB6W03A0020	6WG	5.925~7.125	3.6	1	1.3	20	UDR70
SLHYB7W03A0020	7WG	7.125~8.5	3.8	1	1.3	20	UBR84
SLHYB1003A0020	10G	10.125~11.7	3.8	1	1.3	20	UBR100
SLHYB1303A0020	13G	12.75~13.25	3.8	1	1.3	20	UBR120
SLHYB1503A0020	15G	14.4~15.35	3.8	1	1.3	20	UBR140
SLHYB1803A0020	18G	17.7~19.7	3.8	1	1.3	20	UBR220
SLHYB2303A0020	23G	21.2~23.6	3.8	1	1.3	20	UBR220
SLHYB2603A0020	26G	24.25~26.5	4.1	1	1.4	20	UBR220
SLHYB2803A0020	28G	27.5~29.5	4.1	1	1.4	20	UBR320
SLHYB3203A0020	32G	31.8~33.4	4.1	1	1.4	20	UBR320
SLHYB3803A0020	38G	37~40	4.1	1	1.4	20	UBR320
SLHYB4203A0020	42G	40.5~43.5	4.7	1	1.5	20	UG383/R400

机械性能指标 Mechanical Properties

外部颜色 Outside Color	RAL7035
工作温度 Operational Temperature(°C)	-45°C ~ 60°C
毛重 Gross Weight,(kg)	3.8±0.5
净重 Net Weight,(kg)	3.1±0.5(7-38G)
包装尺寸 Packaging Dimension(mm)	420x300x180



合路器产品系列 (2)

6dB 合路器

6dB Coupler



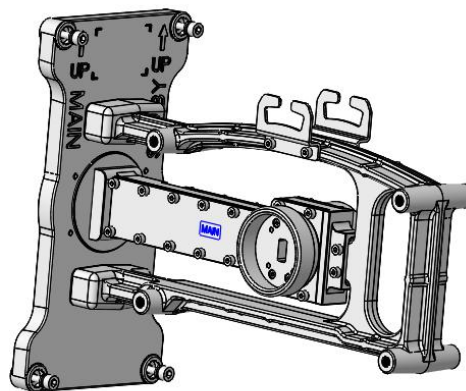
频段Freq Band:6WG/7WG/10G/13G/15G/18G/23G/26G/28G/32G/38G/42G

电性能指标 Electrical Properties

产品型号	频段	频率范围	插入损耗	损耗波动	耦合损耗	耦合波动	驻波比	短路IPI	接口法兰
Product Model	Frequency Band	Frequency Range(GHz)	Insert Loss(dB)	Loss Vibration	Coupling Loss(dB)	Coupling Vibration	VSWR	Shrot IPI(dB)	Interface Flange
SLHYB6W06A0020	6WG	5.925~7.125	1.7	0.5	6.8	1	1.3	20	UDR70
SLHYB7W06A0020	7WG	7.125~8.5	1.9	0.5	7	1	1.3	20	UBR84
SLHYB1006A0020	10G	10.125~11.7	1.9	0.5	7	1	1.3	20	UBR100
SLHYB1306A0020	13G	12.75~13.25	1.9	0.5	7	1	1.3	20	UBR120
SLHYB1506A0020	15G	14.4~15.35	1.9	0.5	7	1	1.3	20	UBR140
SLHYB1806A0020	18G	17.7~19.7	1.9	0.5	7	1	1.3	20	UBR220
SLHYB2306A0020	23G	21.2~23.6	1.9	0.5	7	1	1.3	20	UBR220
SLHYB2606A0020	26G	24.25~26.5	2.1	0.5	8	1	1.4	20	UBR220
SLHYB2806A0020	28G	27.5~29.5	2.1	0.5	8	1	1.4	20	UBR320
SLHYB3206A0020	32G	31.8~33.4	2.1	0.5	8	1	1.4	20	UBR320
SLHYB3806A0020	38G	37~40	2.1	0.5	8	1	1.4	20	UBR320
SLHYB4206A0020	42G	40.5~43.5	2.4	1	8	1	1.5	20	UG383/R400

机械性能指标 Mechanical Properties

外部颜色Outside Color	RAL7035
工作温度Operational Temperature(°C)	-45°C ~ 60°C
毛重Gross Weight,(kg)	3.8±0.5
净重Net Weight,(kg)	3.1±0.5(7-38G)
包装尺寸Packaging Dimension(mm)	420x300x180



四口OMT产品系列 (1)

3dB 四口OMT

3dB Four Port OMT



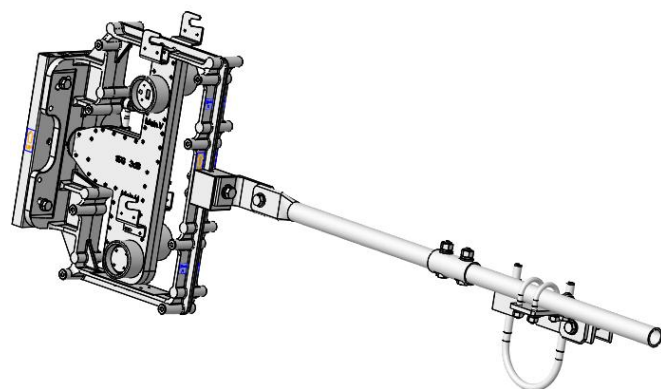
频段 Freq Band: 7WG/10G/13G/15G/18G/23G/38G

电性能指标 Electrical Properties

产品型号	频段	频率范围	插入损耗	损耗波动	驻波比	同极化隔离度	异极化隔离度	天线端接口	ODU端接口
Product Model	Frequency Band	Frequency Range(GHz)	Insert Loss(dB)	Loss Variation	VSWR	Isolation VV or HH (dB)	Isolation VV or HH (dB)	Antenna port interface (mm)	ODU port interface
SLOMT7WQ03A0020	7WG	7.125~8.5	4.2	1	1.5	20	35	Φ27.8	UBR84
SLOMT10Q03A0020	10G	10.125~11.7	4.2	1	1.5	20	35	Φ19.91	UBR100
SLOMT13Q03A0020	13G	12.75~13.25	4.2	1	1.5	20	35	Φ16.71	UBR120
SLOMT15Q03A0020	15G	14.4~15.35	4.2	1	1.5	20	35	Φ14.61	UBR140
SLOMT18Q03A0020	18G	17.7~19.7	4.4	1.4	1.5	20	35	Φ11.62	UBR220
SLOMT23Q03A0020	23G	21.2~23.6	4.4	1.4	1.5	20	35	Φ9.7	UBR220
SLOMT38Q03A0020	38G	37~40	4.7	1.4	1.5	20	35	Φ7.62	UBR320

机械性能指标 Mechanical Properties

外部颜色 Outside Color	RAL7035
工作温度 Operational Temperature(°C)	-45°C ~ 60°C
毛重 Gross Weight,(kg)	(21.5)
净重 Net Weight,(kg)	(20)
包装尺寸 Packaging Dimension(mm)	500x410x235



四口OMT产品系列 (2)

6dB 四口OMT

6dB Four Port OMT



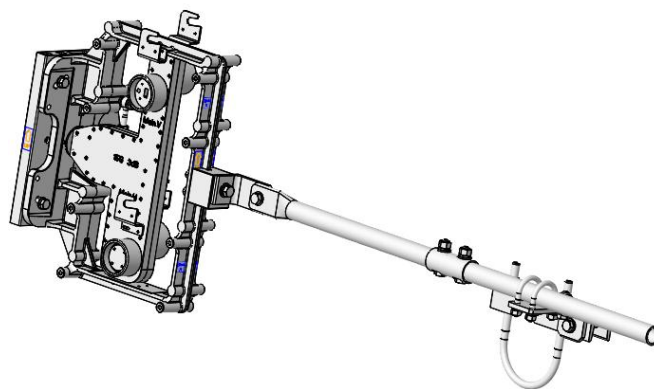
频段Freq Band:7WG/10G/13G/15G/18G/23G/38G

电性能指标 Electrical Properties

产品型号	频段	频率范围	插入损耗	损耗波动	耦合损耗	耦合波动	驻波比	同极化隔离度	异极化隔离度	天线端口	ODU端口接口
Product Model	Frequency Band	Frequency Range(GHz)	Insert Loss(dB)	Loss Vibration	Coupling Loss(dB)	Coupling Vibration	VSWR	Isolation VV or HH (dB)	Isolation VV or HH (dB)	Antenna port interface (mm)	ODU port interface
SLOMT7WQ03A0020	7WG	7.125~8.5	4.2	1	7.3	1	1.5	20	35	Φ27.8	UBR84
SLOMT10Q03A0020	10G	10.125~11.7	4.2	1	7.3	1	1.5	20	35	Φ19.91	UBR100
SLOMT13Q03A0020	13G	12.75~13.25	4.2	1	7.3	1	1.5	20	35	Φ16.71	UBR120
SLOMT15Q03A0020	15G	14.4~15.35	4.2	1	7.3	1	1.5	20	35	Φ14.61	UBR140
SLOMT18Q03A0020	18G	17.7~19.7	4.4	1.4	7.5	1.4	1.5	20	35	Φ11.62	UBR220
SLOMT23Q03A0020	23G	21.2~23.6	4.4	1.4	7.5	1.4	1.5	20	35	Φ9.7	UBR220
SLOMT38Q03A0020	38G	37~40	4.7	1.4	8.2	1.4	1.5	20	35	Φ7.62	UBR320

机械性能指标 Mechanical Properties

外部颜色Outside Color	RAL7035
工作温度Operational Temperature(°C)	-45°C ~ 60°C
毛重Gross Weight,(kg)	(21.5)
净重Net Weight,(kg)	(20)
包装尺寸Packaging Dimension(mm)	500x410x235



帮助客户成功 成就无限沟通

Developing with our customers Connecting the world the wireless way



股票代码：002446