



Special Scenario Antenna Catalogue

1

场馆赋形天线 (P1-P11)
Stadium Beam forming Antenna

2

微基站-定向天线 (P12-P27)
Directional Antenna

3

微基站-全向天线 (P28-P30)
Omnidirectional Antenna

4

射灯天线 (P31-P74)
Spotlight Antenna

5

楼宇、隧道、电梯天线 (P75-P77)
Buildings、Tunnels、Elevator Antennas

目录
contents

SL12559E

场馆赋形天线

Stadium Beam forming Antenna



频段Frequency range (MHz) : 1710-2700/4800-5000

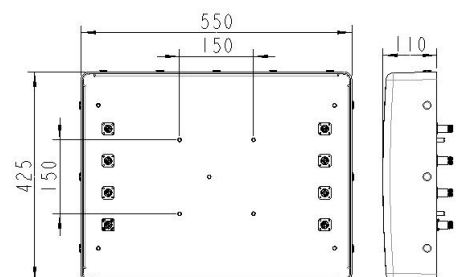
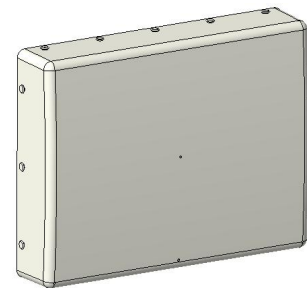
增益Gain : $\geq 12 \sim 13/12$ dBi水平波瓣宽度Horizontal Beam width : $30^\circ/30^\circ$ 垂直波瓣宽度Vertical 3 dB beam width : $30^\circ/30^\circ$ 上旁瓣抑制Side lobe Suppression : ≥ 18 dB

电性能指标 Electrical Properties

端口Port	Port 1 & Port 2 &Port3 & Port 4		Port 5 & Port 6 &Port7 & Port 8
频率范围Frequency range (MHz)	1710-2170	2300-2700	4800-5000
极化方式Polarization	+45°		-45°
增益Gain (dBi)	≥ 12	≥ 13	≥ 12
水平面波瓣从3dB下降到20dB的角度变化量Angle change from 3dB drop to 20dB(Horizontal beam width) (°)	≤ 28	≤ 25	≤ 23
水平面半功率波瓣宽度Horizontal 3 dB beam width (°)	35±6	28±6	30±5
垂直面半功率波瓣宽度Vertical 3 dB beam width (°)	35±6	28±6	30±5
上旁瓣抑制Side lobe Suppression (dB):	≥ 18		
交叉极化比CPR at Bore sight (dB)	≥ 17		
驻波比VSWR	≤ 1.5		
端口隔离度Interband isolation (dB)	≥ 25		
前后比Front to back ratio(dB)	> 25		
三阶互调Inter modulation IM3 ((dBc@2 x 43 dBm carrier)	≤ -150 (2 x 43 dBm)		/
功率容限Max. effective power per port (W)	150		100
阻抗Impedance (Ω)	50		

机械性能指标 Mechanical Properties

天线尺寸Antenna dimensions (H x W x D)(mm)	550×425×110
天线重量Antenna weight (kg)	6.5
天线罩材质Radome material	FRP
天线罩颜色Radome colour	RAL9016(交通白)
工作温度Operational temperature (°C)	-40 to +70
安装方式Mounting Type	抱杆安装Pole mounting
抱杆直径Bracket Diameter(mm)	$\Phi 50-\Phi 114$
额定风速Rated Wind Velocity(km/h)	160
应用场景Application scene	室内/室外Indoor/Outdoor
接头类型Connector	8 x N-Female
接地方式Grounding	直流接地DC grounding



SL12559F

场馆赋形天线

Stadium Beam forming Antenna



频段Frequency range (MHz) : 4800-5000

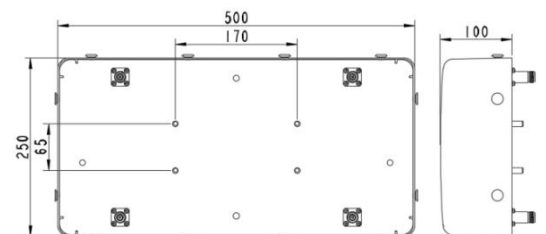
增益Gain : $\geq 10\text{dBi}$ 水平波瓣宽度Horizontal Beam width : 42° 垂直波瓣宽度Vertical 3 dB beam width : 42° 上旁瓣抑制Side lobe Suppression : $\geq 18\text{dB}$

电性能指标 Electrical Properties

端口Port	Port 1 & Port 2 & Port 3 & Port 4
频率范围Frequency range (MHz)	4800-5000
极化方式Polarization	+45°
增益Gain (dBi)	10±0.5
水平面波瓣从3dB下降到20dB的角度变化量Angle change from 3dB drop to 20dB(Horizontal beam width) (°)	≤18
水平面半功率波束宽度Horizontal 3dB beam width (°)	42±5
垂直面半功率波束宽度Vertical 3dB beam width (°)	42±5
上旁瓣抑制Side lobe Suppression (dB):	≥18
驻波比VSWR	<1.5
端口隔离度Interband isolation (dB)	≥25
前后比Front to back ratio(dB)	>25
交叉极化比Cross polar ratio, 0° (dB)	≥17
三阶互调Inter modulation IM3 ((dBc@2 x 43 dBm carrier)	/
功率容限Max. effective power per port (W)	100
阻抗Impedance (Ω)	50

机械性能指标 Mechanical Properties

天线尺寸Antenna dimensions (H x W x D) (mm)	500×250×100
天线重量Antenna weight (kg)	3.8
天线罩材质Radome material	FRP
天线罩颜色Radome colour	RAL9016(交通白)
工作温度Operational temperature (°C)	-40 to +60
抱杆直径Bracket Diameter(mm)	Φ50-Φ114
额定风速Rated Wind Velocity(km/h)	160
应用场景Application scene	室内/室外Indoor/Outdoor
接头类型Connector	4 x N-Female
接地方式Grounding	直流接地DC grounding



SL12118A

场馆赋形天线

Stadium Beam forming Antenna



频段Frequency range (MHz) : 698-960/1710-2200/2200-2700 增益Gain : 7.5/8.5/8.5dBi

水平波瓣宽度Horizontal Beam width : 63°/60°/60°

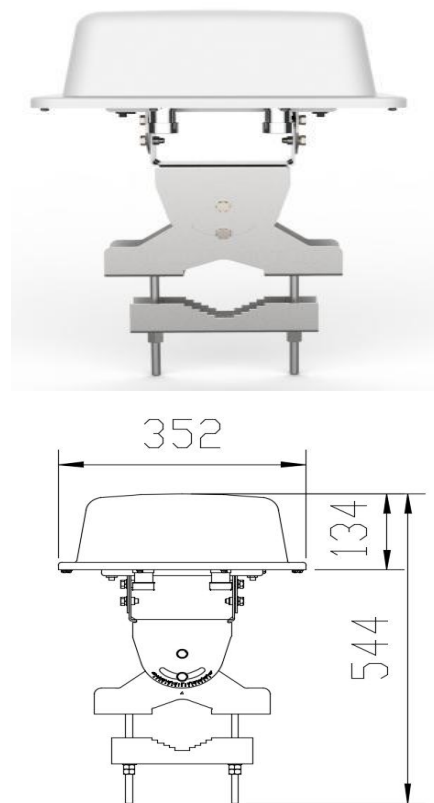
垂直波瓣宽度Vertical 3 dB beam width : 63°/60°/60°

电性能指标 Electrical Properties

频率范围Frequency range (MHz)	698-960	1710~2200	2200-2700
极化方式Polarization	±45°		
增益Gain (dBi)	7.5±1.5	8.5±1.5	
水平面半功率波束宽度Horizontal 3 dB beam width (°)	63 ± 12	60 ± 10	60± 12
垂直面半功率波束宽度Vertical 3 dB beam width (°)	63 ± 12	60 ± 10	60± 12
驻波比VSWR	≤ 1.9	≤ 1.8	≤ 1.9
端口隔离Interband isolation (dB)	≥20		
前后比Front to back ratio,(dB)	≥20		
交叉极化比Cross polar ratio, 0° (dB)	≥15		
三阶互调Inter modulation IM3 (dBc)	≤-153(2 x 43 dBm carrier)		
功率容限Max. effective power per port (W)	100		
阻抗Impedance (Ω)	50		

机械性能指标 Mechanical Properties

天线尺寸Antenna dimensions (H x W x D) (mm)	352×352×134
天线重量Antenna weight (kg)	≤6.9
天线罩材质Radome material	ABS+PC
天线罩颜色Radome colour	白色White
工作温度Operational temperature (°C)	-40 ~ +60
安装方式Mounting Type	/
抱杆直径Bracket Diameter(mm)	/
机械调整范围Install Position Adjustment(°)	± 10
承载风速Max Wind Speed (m/s)	150
接头类型Connector	2x7-16 Female
接地方式Grounding	直流接地DC grounding



SL12559A

场馆赋形天线

Stadium Beam forming Antenna



频段Frequency range (MHz) : 1710-2170/2300-2700

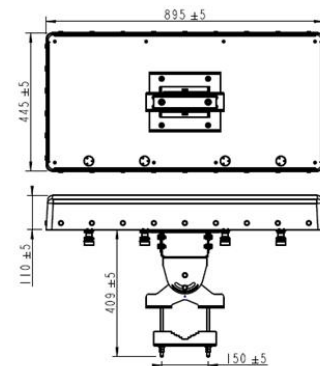
增益Gain : $\geq 9/10$ dBi水平波瓣宽度Horizontal Beam width : $50^\circ/42^\circ$ 垂直波瓣宽度Vertical 3 dB beam width : $50^\circ/42^\circ$ 上旁瓣抑制Side lobe Suppression : ≥ 18 dB

电性能指标 Electrical Properties

端口Port	Port 1 & Port 2 & Port 3 & Port 4	
频率范围Frequency range (MHz)	1710-2170	2300-2700
极化方式Polarization	+45°	
增益Gain (dBi)	9	10
水平面波瓣从3dB下降到20dB的角度变化量Angle change from 3dB drop to 20dB(Horizontal beam width) (°)	≤ 21	≤ 20
水平面半功率波束宽度Horizontal 3 dB beam width (°)	50	42
垂直面半功率波束宽度Vertical 3 dB beam width (°)	50	42
上旁瓣抑制Side lobe Suppression (dB):	≥ 18	
驻波比VSWR	< 1.5	
端口隔离度Interband isolation (dB)	≥ 25	
前后比Front to back ratio(dB)	≥ 25	
交叉极化比Cross polar ratio, 0° (dB)	≥ 18	
三阶互调Inter modulation IM3 ((dBc@2 x 43 dBm carrier)	≤ -150 (2 x 43 dBm)	
功率容限Max. effective power per port (W)	100	
阻抗Impedance (Ω)	50	

机械性能指标 Mechanical Properties

天线尺寸Antenna dimensions (H x W x D) (mm)	895×450×110
天线重量Antenna weight (kg)	9.5
天线罩材质Radome material	FRP
天线罩颜色Radome colour	RAL9016(交通白)
工作温度Operational temperature (°C)	-40 to +60
安装方式Mounting Type	抱杆安装Pole mounting
抱杆直径Bracket Diameter(mm)	$\Phi 70-\Phi 114$
额定风速Rated Wind Velocity(km/h)	160
应用场景Application scene	室内/室外Indoor/Outdoor
接头类型Connector	4 x DIN-Female
接地方式Grounding	直流接地DC grounding



SL12732E

场馆赋形天线

Stadium Beam forming Antenna



频段Frequency range (MHz) : 698-960/1695-2700

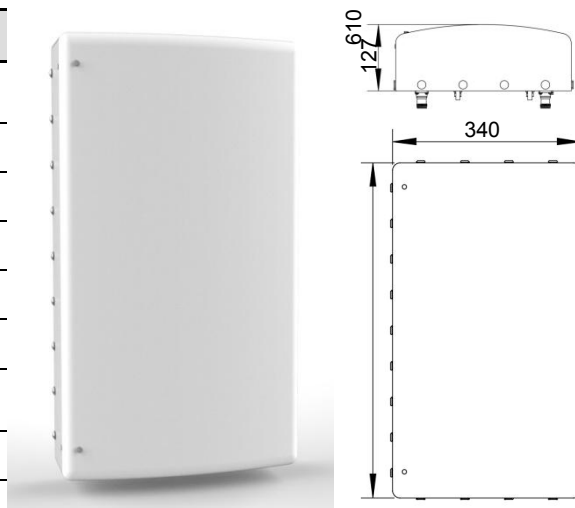
增益Gain : $\geq 11.1 \sim 11.8 / 10.9 \sim 12 \text{ dB}$ 水平波瓣宽度Horizontal 3 dB beam width : $65^\circ / 65^\circ$ 垂直波瓣宽度Vertical 3 dB beam width : $30^\circ / 30^\circ$

电性能指标 Electrical Properties

频率范围Frequency range (MHz)	698-800	800-960	1695-1880	1850-1990	1920-2180	2200-2700	2300-2360
极化方式Polarization	$\pm 45^\circ$						
增益Gain (dBi)	11.1	11.8	10.9	11.0	11.3	12.0	12.0
水平面半功率波束宽度Horizontal 3 dB beam width ($^\circ$)	34	30	34	33	31	26	28
垂直面半功率波束宽度Vertical 3 dB beam width ($^\circ$)	68	61	70	66	65	65	64
驻波比VSWR	≤ 1.5						
交叉极化隔离Cross polar isolation (dB)	≥ 25						
前后比Front to back ratio, $\pm 30^\circ$ (dB)	22	22	27	27	27	27	27
交叉极化比Cross polar ratio, 0° (dB)	20	20	17	17	17	20	20
功率容限Max. effective power per port (W)	200						
三阶互调Intermodulation IM3 (dBc)	≤ -153 (2 x 43 dBm carrier)						
阻抗Impedance (Ω)	50						
接地方式Grounding	DC grounding						

机械性能指标 Mechanical Properties

天线尺寸Antenna dimensions (H x W x D) (mm)	610 x 340 x 127
天线重量Antenna weight (kg)	7.0
天线罩材质Radome material	ABS
天线罩颜色Radome colour	White
工作温度Operational temperature ($^\circ\text{C}$)	-40 to +60
抱杆直径Bracket Diameter (mm)	$\Phi 80 - \Phi 200$
最大工作风速Max. operational wind speed (km/h)	198
极限风速Survival wind speed (km/h)	216
接头类型Connector	2x4.3-10 Female



SL12904E

场馆赋形天线

Stadium Beam forming Antenna



频段Frequency range (MHz) : 698-960/1695-2700

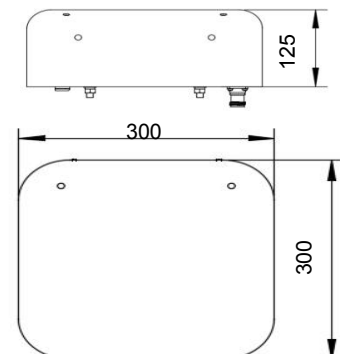
增益Gain : $\geq 8.5 \sim 9.2 / 9.2 \sim 9.8$ dBi水平波瓣宽度Horizontal Beam width : $60^\circ / 60^\circ$ 垂直波瓣宽度Vertical 3 dB beam width : $60^\circ / 60^\circ$ 

电性能指标 Electrical Properties

频率范围Frequency range (MHz)	698-800	800-960	1695-1880	1850-1990	1920-2180	2200-2700	2300-2360
极化方式Polarization	$\pm 45^\circ$						
增益Gain (dBi)	8.5	9.2	9.3	9.6	9.8	9.2	8.9
水平面半功率波束宽度Horizontal 3 dB beam width ($^\circ$)	62	59	55	52	55	62	70
垂直面半功率波束宽度Vertical 3 dB beam width ($^\circ$)	62	58	55	54	55	59	65
驻波比VSWR	1.9	1.9	1.8	1.8	1.8	1.8	1.8
交叉极化隔离Cross polar isolation (dB)	≥ 30						
前后比Front to back ratio, $\pm 30^\circ$ (dB)	26	26	27	28	29	27	29
交叉极化比Cross polar ratio, 0° (dB)	24	24	20	20	20	20	20
功率容限Max. effective power per port (W)	200						
三阶互调Intermodulation IM3 (dBc)	≤ -153 (2 x 43 dBm carrier)						
阻抗Impedance (Ω)	50						
接地方式Grounding	DC grounding						

机械性能指标 Mechanical Properties

天线尺寸Antenna dimensions (H x W x D) (mm)	300 x 300 x 125
天线重量Antenna weight (kg)	2.9
天线罩材质Radome material	ABS
天线罩颜色Radome colour	White
工作温度Operational temperature ($^\circ\text{C}$)	-40 to +60
抱杆直径Bracket Diameter (mm)	$\Phi 80 - \Phi 200$
最大工作风速Max. operational wind speed (km/h)	198
极限风速Survival wind speed (km/h)	216
接头类型Connector	2x4.3-10 Female



SL17324A

MIMO场馆天线

MIMO Stadium Antenna



频段Frequency range (MHz) : 1710-2690

增益Gain : 10dBi

水平波瓣宽度Horizontal Beam width : 45°

垂直波瓣宽度Vertical 3 dB beam width : 45°

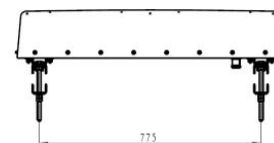
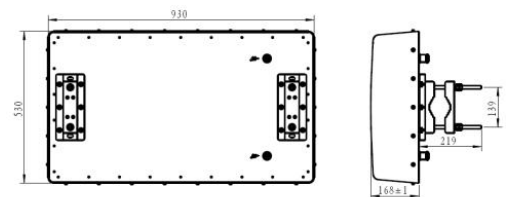
上旁瓣抑制Side lobe Suppression : 20dB

电性能指标 Electrical Properties

端口Port	Port1		Port2	
	频率范围Frequency range (MHz)	1710-2170	2300-2690	1710-2170
极化方式Polarization	+45°		-45°	
增益Gain (dBi)	10±0.5			
水平面波瓣从3dB下降到20dB的角度变化量Angle change from 3dB drop to 20dB(Horizontal beam width) (°)	≤20			
水平面半功率波束宽度Horizontal 3 dB beam width (°)	45±7			
垂直面半功率波束宽度Vertical 3 dB beam width (°)	45±7			
上旁瓣抑制Side lobe Suppression (dB):	Approx.20			
交叉极化比CPR at Bore sight (dB)	Approx.20			
驻波比VSWR	≤1.5			
端口隔离Interband isolation (dB)	≥28			
前后比Front to back ratio(dB)	> 28			
三阶互调Inter modulation IM3 ((dBc@2 x 43 dBm carrier)	≤ -150 (2 x 43 dBm)			
功率容限Max. effective power per port (W)	50			
阻抗Impedance (Ω)	50			

机械性能指标 Mechanical Properties

天线尺寸Antenna dimensions (H x W x D) (mm)	936×536×168
天线重量Antenna weight (kg)	≤20
天线罩材质Radome material	FRP
天线罩颜色Radome colour	浅灰色Light grey
工作温度Operational temperature (°C)	-40 to +70
安装方式Mounting Type	抱杆安装/墙壁安装 (Pole mounting/Wall installation)
抱杆直径Bracket Diameter(mm)	Φ75-Φ114
额定风速Rated Wind Velocity(km/h)	160
应用场景Application scene	室内/室外Indoor/Outdoor
接头类型Connector	2 x 7-16 DIN-Female
接地方式Grounding	直流感地DC grounding



SL12999B

MIMO场馆赋形天线

MIMO Stadium Beam forming Antenna



频段Frequency range (MHz) : 698-960/1695-2700

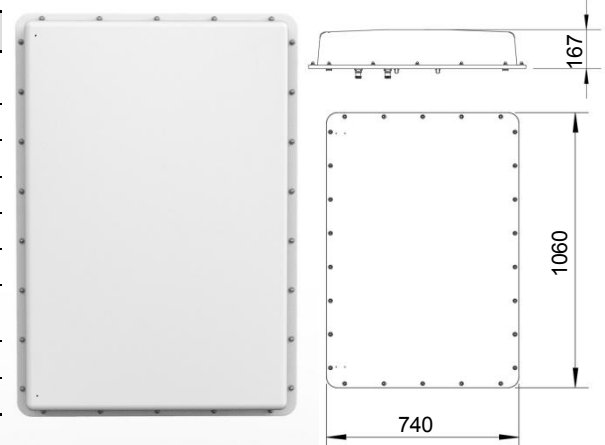
增益Gain : $\geq 14.2 \sim 15.4 / 12.6 \sim 15 \text{dBi}$ 水平波瓣宽度Horizontal Beam width : $30^\circ / 30^\circ$ 垂直波瓣宽度Vertical 3 dB beam width : $30^\circ / 30^\circ$

电性能指标 Electrical Properties

频率范围Frequency range (MHz)	698-800	800-960	1695-1880	1850-1990	1920-2180	2200-2700	2300-2360
极化方式Polarization	$\pm 45^\circ$						
增益Gain (dBi)	14.2	15.4	12.6	13.6	14.2	15.3	15.0
水平面半功率波束宽度Horizontal 3 dB beam width ($^\circ$)	34	29	38	35	32	28	29
垂直面半功率波束宽度Vertical 3 dB beam width ($^\circ$)	34	29	38	35	32	28	29
驻波比VSWR	≤ 1.5						
交叉极化隔离Cross polar isolation (dB)	≥ 23						
前后比Front to back ratio, $\pm 30^\circ$ (dB)	30	32	32	34	34	36	36
交叉极化比Cross polar ratio, 0° (dB)	20	24	18	18	18	18	18
功率容限Max. effective power per port (W)	200						
三阶互调Intermodulation IM3(dBc)	≤ -153 (2 x 43 dBm carrier)						
阻抗Impedance (Ω)	50						
接地方式Grounding	DC grounding						

机械性能指标 Mechanical Properties

天线尺寸Antenna dimensions (H x W x D)(mm)	1060 x 740 x 167
天线重量Antenna weight (kg)	20
天线罩材质Radome material	FRP
天线罩颜色Radome colour	White
工作温度Operational temperature ($^\circ\text{C}$)	-40 to +60
抱杆直径Bracket Diameter(mm)	$\Phi 50 - \Phi 80$
最大工作风速Max. operational wind speed (km/h)	198
极限风速Survival wind speed (km/h)	216
接头类型Connector	2x4.3-10 Female



SL12992E

MIMO场馆赋形天线

MIMO Stadium Beam forming Antenna



频段Frequency range (MHz) : 698-960/1695-2700 增益Gain : $\geq 11.8 \sim 12.8 / 12.0 \sim 13.5$ dBi

水平波瓣宽度Horizontal Beam width : $25^\circ / 23^\circ$

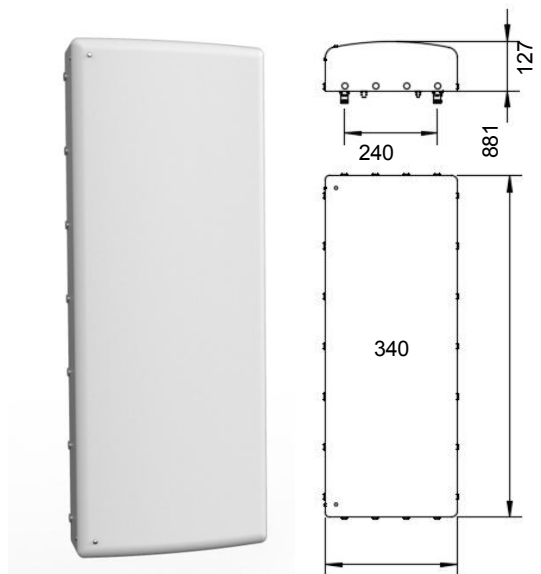
垂直波瓣宽度Vertical 3 dB beam width : $65^\circ / 65^\circ$

电性能指标 Electrical Properties

频率范围Frequency range (MHz)	698-800	800-960	1695-1880	1850-1990	1920-2180	2200-2700	2300-2360
极化方式Polarization	$\pm 45^\circ$						
增益Gain (dBi)	11.8	12.8	12.0	12.3	12.5	13.5	13.0
水平面半功率波束宽度Horizontal 3 dB beam width ($^\circ$)	26	23	25	23	22	19	20
垂直面半功率波束宽度Vertical 3 dB beam width ($^\circ$)	67	62	69	67	65	65	68
驻波比VSWR	≤ 1.5						
交叉极化隔离Cross polar isolation (dB)	≥ 23						
前后比Front to back ratio, $\pm 30^\circ$ (dB)	25	25	30	30	30	30	30
交叉极化比Cross polar ratio, 0° (dB)	20	20	15	15	15	18	18
功率容限Max. effective power per port (W)	200						
三阶互调Intermodulation IM3(dBc)	≤ -153 (2 x 43 dBm carrier)						
阻抗Impedance (Ω)	50						
接地方式Grounding	DC grounding						

机械性能指标 Mechanical Properties

天线尺寸Antenna dimensions (H x W x D)(mm)	881 x 340 x 127
天线重量Antenna weight (kg)	8.0
天线罩材质Radome material	ABS
天线罩颜色Radome colour	White
工作温度Operational temperature ($^\circ\text{C}$)	-40 to +60
抱杆直径Bracket Diameter(mm)	$\Phi 80 - \Phi 200$
最大工作风速Max. operational wind speed (km/h)	198
极限风速Survival wind speed (km/h)	216
接头类型Connector	2x4.3-10 Female



SL12992C

MIMO场馆赋形天线

MIMO Stadium Beam forming Antenna



频段Frequency range (MHz) : 698-960/1695-2700 增益Gain : $\geq 12.8 \sim 13.3/12.1 \sim 14$ dBi

水平波瓣宽度Horizontal Beam width : $25^\circ/25^\circ$

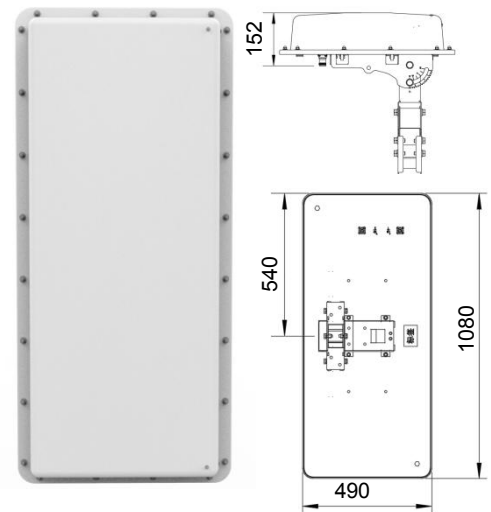
垂直波瓣宽度Vertical 3 dB beam width : $70^\circ/65^\circ$

电性能指标 Electrical Properties

频率范围Frequency range (MHz)	698-800	800-960	1695-1880	1850-1990	1920-2180	2200-2700	2300-2360
极化方式Polarization	$\pm 45^\circ$						
增益Gain (dBi)	12.8	13.3	12.1	12.6	13.0	14.0	13.8
水平面半功率波束宽度Horizontal 3 dB beam width ($^\circ$)	25	22	27	25	23	19	19
垂直面半功率波束宽度Vertical 3 dB beam width ($^\circ$)	68	71	68	67	68	61	62
驻波比VSWR	≤ 1.5						
交叉极化隔离Cross polar isolation (dB)	25	25	24	24	24	24	24
前后比Front to back ratio, $\pm 30^\circ$ (dB)	30	28	30	32	32	30	30
交叉极化比Cross polar ratio, 0° (dB)	22	22	14	16	14	16	20
功率容限Max. effective power per port (W)	200						
三阶互调Intermodulation IM3 (dBc)	≤ -153 (2 x 43 dBm carrier)						
阻抗Impedance (Ω)	50						
接地方式Grounding	DC grounding						

机械性能指标 Mechanical Properties

天线尺寸Antenna dimensions (H x W x D)(mm)	1080 x 490 x 152
天线重量Antenna weight (kg)	14
天线罩材质Radome material	FRP
天线罩颜色Radome colour	White
工作温度Operational temperature ($^\circ\text{C}$)	-40 to +60
抱杆直径Bracket Diameter(mm)	$\Phi 50-\Phi 80$
最大工作风速Max. operational wind speed (km/h)	198
极限风速Survival wind speed (km/h)	216
接头类型Connector	2x4.3-10 Female



SL12117A

MIMO场馆赋形天线

MIMO Stadium Beam forming Antenna



频段Frequency range (MHz) : 698-960/1710-2200/2200-2700

增益Gain : 11.5dBi

水平波瓣宽度Horizontal Beam width : 33°/33°/30°

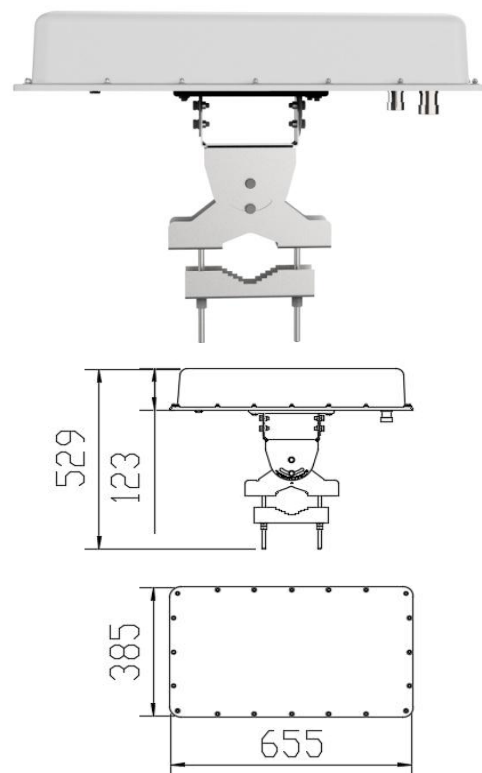
垂直波瓣宽度Vertical 3 dB beam width : 65°/60°/63°

电性能指标 Electrical Properties

频率范围Frequency range (MHz)	698-960	1710~2200	2200-2700
极化方式Polarization	±45°		
增益Gain (dBi)	11.5±1.5		
水平面半功率波束宽度Horizontal 3 dB beam width (°)	33 ± 8		30 ± 8
垂直面半功率波束宽度Vertical 3 dB beam width (°)	65 ± 10	60 ± 10	63 ± 12
驻波比VSWR	≤1.9		
端口隔离Interband isolation (dB)	≥24		
前后比Front to back ratio,(dB)	≥20		
交叉极化比Cross polar ratio, 0° (dB)	≥15		
三阶互调Inter modulation IM3 (dBc)	≤-153(2 x 43 dBm carrier)		
功率容限Max. effective power per port (W)	100		
阻抗Impedance (Ω)	50		

机械性能指标 Mechanical Properties

天线尺寸Antenna dimensions (H x W x D)(mm)	655×385×123
天线重量Antenna weight (kg)	≤9.8
天线罩材质Radome material	FRP
天线罩颜色Radome colour	浅灰 Light grey
工作温度Operational temperature (°C)	-40 ~ +60
安装方式Mounting Type	/
抱杆直径Bracket Diameter(mm)	/
机械调整范围Install Position Adjustment(°)	± 10
承载风速Max Wind Speed (m/s)	150
接头类型Connector	2x7-16 Female
接地方式Grounding	直流接地DC grounding



SL12474E

板状定向天线

Plate directional antenna



频段Frequency range (MHz) : 698-960/1710-2700 增益Gain : ≥ 10 -11/11dBi

水平波瓣宽度Horizontal Beam width : 65°/55°

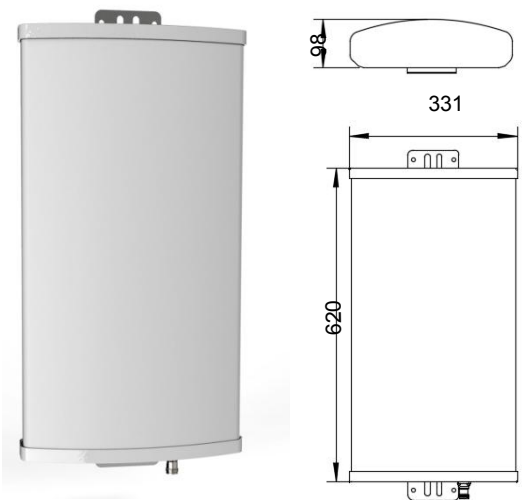
垂直波瓣宽度Vertical 3 dB beam width : 30°/30°

电性能指标 Electrical Properties

频率范围Frequency range (MHz)	698-800	800-960	1710-2200	2200-2700
极化方式Polarization	Vertical			
增益Gain (dBi)	10.0	11.0	11.0	11.0
水平面半功率波束宽度Horizontal 3 dB beam width (°)	68	60	60	52
垂直面半功率波束宽度Vertical 3 dB beam width (°)	30	28	30	30
驻波比VSWR	≤ 1.8			
前后比Front to back ratio, $\pm 30^\circ$ (dB)	18	18	20	20
功率容限Max. effective power per port (W)	100			
三阶互调Intermodulation IM3 (dBc)	≤ -153 (2 x 43 dBm carrier)			
阻抗Impedance (Ω)	50			
接地方式Grounding	DC grounding			

机械性能指标 Mechanical Properties

天线尺寸Antenna dimensions (H x W x D) (mm)	620 x 331 x 98
天线重量Antenna weight (kg)	4.7
天线罩材质Radome material	UPVC
天线罩颜色Radome colour	White
工作温度Operational temperature (°C)	-40 to +60
抱杆直径Bracket Diameter(mm)	$\Phi 30$ - $\Phi 55$
最大工作风速Max. operational wind speed (km/h)	198
极限风速Survival wind speed (km/h)	216
接头类型Connector	2x4.3-10 Female
接头朝向Connector position	Bottom



SL12113D

双极化定向天线

Dual Polar Directional Antenna



频段Frequency range (MHz) : 1710-2200/2200-2700

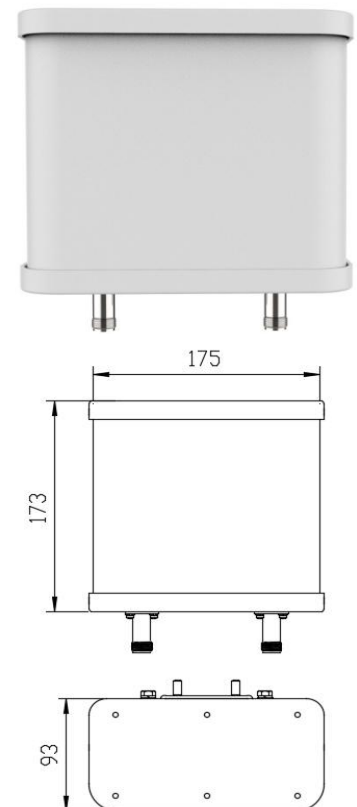
增益Gain : $\geq 8/9\text{dBi}$ 水平波瓣宽度Horizontal Beam width : $65^\circ/60^\circ$ 垂直波瓣宽度Vertical 3 dB beam width : $65^\circ/60^\circ$

电性能指标 Electrical Properties

电性能指标 Electrical Properties	1710~2200	2200~2700
频率范围Frequency range (MHz)	1710~2200	2200~2700
极化方式Polarization	$\pm 45^\circ$	
增益Gain (dBi)	8	9
水平面半功率波束宽度Horizontal 3 dB beam width ($^\circ$)	65	60
垂直面半功率波束宽度Vertical 3 dB beam width ($^\circ$)	65	60
驻波比VSWR	≤ 1.5	
端口隔离Interband isolation (dB)	≥ 28	
前后比Front to back ratio,(dB)	≥ 25	
交叉极化比Cross polar ratio, 0° (dB)	≥ 20	
三阶互调Inter modulation IM3 (dBc)	$\leq -150(2 \times 43 \text{ dBm carrier})$	
功率容限Max. effective power per port (W)	100	
阻抗Impedance (Ω)	50	

机械性能指标 Mechanical Properties

天线尺寸Antenna dimensions (H x W x D) (mm)	175 × 173 × 93
天线重量Antenna weight (kg)	≤ 1.3
天线罩材质Radome material	FRP
天线罩颜色Radome colour	浅灰/Light grey
工作温度Operational temperature ($^\circ\text{C}$)	$-40 \sim +60$
安装方式Mounting Type	/
抱杆直径Bracket Diameter(mm)	/
机械调整范围Install Position Adjustment($^\circ$)	/
承载风速Max Wind Speed (m/s)	210
接头类型Connector	N- Female X2
接地方式Grounding	直流接地DC grounding



SL12113B

双极化定向天线

Dual Polar Directional Antenna



频段Frequency range (MHz) : 1710-2200/2200-2700

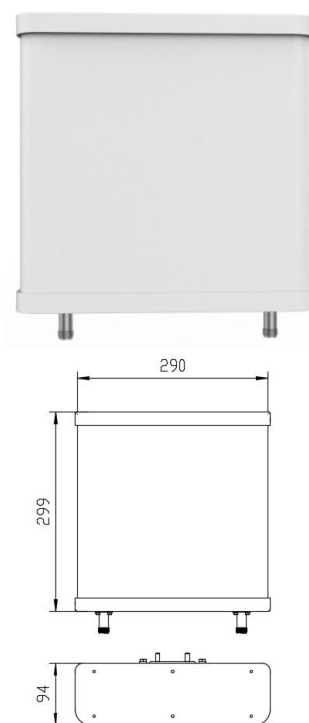
增益Gain : $\geq 14/15$ dBi水平波瓣宽度Horizontal Beam width : $35^\circ/30^\circ$ 垂直波瓣宽度Vertical 3 dB beam width : $35^\circ/30^\circ$

电性能指标 Electrical Properties

	1710~2200	2200~2700
频率范围Frequency range (MHz)	1710~2200	2200~2700
极化方式Polarization	$\pm 45^\circ$	
增益Gain (dBi)	14	15
水平面半功率波束宽度Horizontal 3 dB beam width ($^\circ$)	35	30
垂直面半功率波束宽度Vertical 3 dB beam width ($^\circ$)	35	30
水平旁瓣抑制Horizontal Side lobe suppression (dB)	≥ 20	
垂直旁瓣抑制Vertical Side lobe suppression (dB)	≥ 20	
驻波比VSWR	≤ 1.5	
端口隔离Interband isolation (dB)	≥ 28	
前后比Front to back ratio,(dB)	≥ 25	
交叉极化比Cross polar ratio, 0° (dB)	≥ 20	
三阶互调Inter modulation IM3 (dBc)	$\leq -150(2 \times 43 \text{ dBm carrier})$	
功率容限Max. effective power per port (W)	100	
阻抗Impedance (Ω)	50	

机械性能指标 Mechanical Properties

天线尺寸Antenna dimensions (H x W x D) (mm)	299×290×94
天线重量Antenna weight (kg)	≤ 2.5
天线罩材质Radome material	FRP
天线罩颜色Radome colour	白色White
工作温度Operational temperature ($^\circ\text{C}$)	$-40 \sim +60$
安装方式Mounting Type	/
抱杆直径Bracket Diameter(mm)	/
机械调整范围Install Position Adjustment($^\circ$)	/
承载风速Max Wind Speed (m/s)	210
接头类型Connector	N- Female X2
接地方式Grounding	直流接地DC grounding



SL12113C

双极化定向天线

Dual Polar Directional Antenna



频段Frequency range (MHz) : 1710-2200/2200-2700

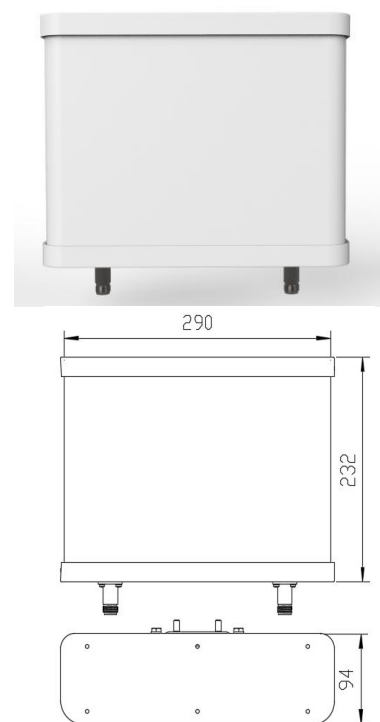
增益Gain : $\geq 12/13$ dBi水平波瓣宽度Horizontal Beam width : $45^\circ/40^\circ$ 垂直波瓣宽度Vertical 3 dB beam width : $45^\circ/40^\circ$

电性能指标 Electrical Properties

	1710~2200	2200~2700
频率范围Frequency range (MHz)	1710~2200	2200~2700
极化方式Polarization	$\pm 45^\circ$	
增益Gain (dBi)	12	13
水平面半功率波束宽度Horizontal 3 dB beam width ($^\circ$)	45	40
垂直面半功率波束宽度Vertical 3 dB beam width ($^\circ$)	45	40
水平旁瓣抑制Horizontal Side lobe suppression (dB)	≥ 20	
垂直旁瓣抑制Vertical Side lobe suppression (dB)	≥ 20	
驻波比VSWR	≤ 1.5	
端口隔离Interband isolation (dB)	≥ 28	
前后比Front to back ratio,(dB)	≥ 25	
交叉极化比Cross polar ratio, 0° (dB)	≥ 20	
三阶互调Inter modulation IM3 (dBc)	$\leq -150(2 \times 43 \text{ dBm carrier})$	
功率容限Max. effective power per port (W)	100	
阻抗Impedance (Ω)	50	

机械性能指标 Mechanical Properties

天线尺寸Antenna dimensions (H x W x D) (mm)	232 x 290 x 94
天线重量Antenna weight (kg)	≤ 2
天线罩材质Radome material	FRP
天线罩颜色Radome colour	白色White
工作温度Operational temperature ($^\circ\text{C}$)	$-40 \sim +60$
安装方式Mounting Type	/
抱杆直径Bracket Diameter (mm)	/
机械调整范围Install Position Adjustment ($^\circ$)	/
承载风速Max Wind Speed (m/s)	210
接头类型Connector	N- Female X2
接地方式Grounding	直流接地DC grounding



SL12806A
定向天线
Directional Antenna



频段Frequency range (MHz) : 2400-2500
水平波瓣宽度Horizontal Beam width : 30°

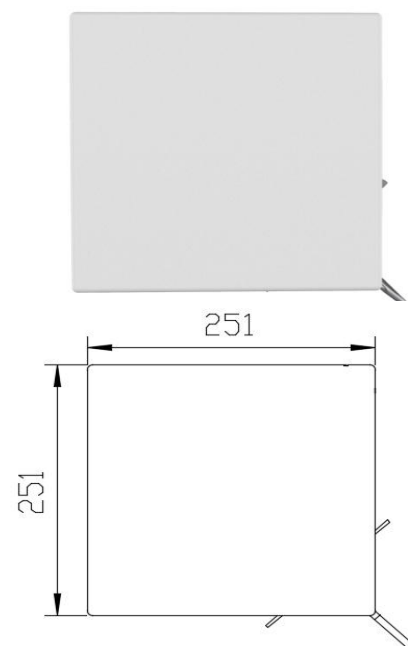
增益Gain : ≥14dBi
垂直波瓣宽度Vertical 3 dB beam width : 30°

电性能指标 Electrical Properties

频率范围Frequency range (MHz)	2400-2500
极化方式Polarization	±45°
增益Gain (dBi)	14
上旁瓣抑制Side lobe suppression for first side lobe above main beam (dB)	/
电下倾角Electrical Down tilt(°)	0
水平面半功率波束宽度Horizontal 3 dB beam width (°)	30
垂直面半功率波束宽度Vertical 3 dB beam width (°)	30
驻波比VSWR	≤1.5
端口隔离Interband isolation (dB)	≥28
前后比Front to back ratio,(dB)	≥28
交叉极化比Cross polar ratio, 0° (dB)	/
三阶互调Inter modulation IM3 (dBc)	/
功率容限Max. effective power per port (W)	50
阻抗Impedance (Ω)	50

机械性能指标 Mechanical Properties

天线尺寸Antenna dimensions (H x W x D) (mm)	251x251x25
天线重量Antenna weight (kg)	0.6
天线罩材质Radome material	ABS+PC
天线罩颜色Radome colour	浅灰色Light grey
工作温度Operational temperature (°C)	-40 ~ +60
安装方式Mounting Type	抱杆安装Pole mounting
抱杆直径Bracket Diameter(mm)	Φ35 ~ Φ114
机械调整范围Install Position Adjustment(°)	-30 ~ +30
承载风速Max Wind Speed (m/s)	55
接头类型Connector	N-Female X2
接地方式Grounding	直流接地DC grounding



SL12578F
定向天线
Directional Antenna



频段Frequency range (MHz) : 698-960/1710-2690/3400-3800 增益Gain : 8/8.5/8.5dBi

水平波瓣宽度Horizontal Beam width : 65°/60°/55°

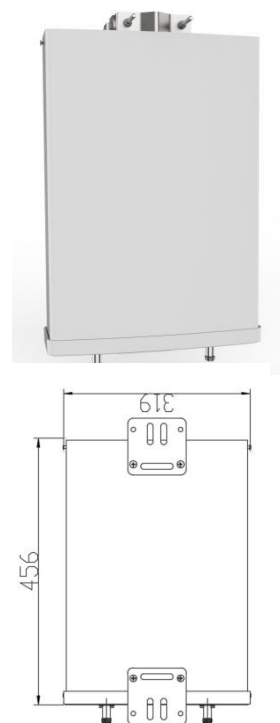
垂直波瓣宽度Vertical 3 dB beam width : 65°/60°/55°

电性能指标 Electrical Properties

电性能指标 Electrical Properties	698-960	1710-2690	3400-3800
频率范围Frequency range (MHz)	698-960	1710-2690	3400-3800
极化方式Polarization	±45°		
增益Gain (dBi)	8±1	8.5±1	8.5±1
上旁瓣抑制Side lobe suppression for first side lobe above main beam (dB)	/		
电下倾角Electrical Down tilt(°)	0		
水平面半功率波束宽度Horizontal 3 dB beam width (°)	65±10	60±10	55±10
垂直面半功率波束宽度Vertical 3 dB beam width (°)	65±10	60±10	55±10
驻波比VSWR	≤2.0		
端口隔离Interband isolation (dB)	≥20		
前后比Front to back ratio,(dB)	≥20		
交叉极化比Cross polar ratio, 0° (dB)	≥15		
三阶互调Inter modulation IM3 (dBc)	≤-145dBc(@43dBm)		
功率容限Max. effective power per port (W)	100		
阻抗Impedance (Ω)	50		

机械性能指标 Mechanical Properties

天线尺寸Antenna dimensions (H x W x D) (mm)	456×319×118
天线重量Antenna weight (kg)	3.5±0.2
天线罩材质Radome material	UPVC
天线罩颜色Radome colour	浅灰色Light grey
工作温度Operational temperature (°C)	-40 ~ +60
安装方式Mounting Type	抱杆安装Pole mounting
抱杆直径Bracket Diameter(mm)	Φ35 ~ Φ114
机械调整范围Install Position Adjustment(°)	0 ~ 10
承载风速Max Wind Speed (m/s)	55
接头类型Connector	4.3-10 Female X2
接地方式Grounding	直流接地DC grounding



SL12113F

双极化定向天线

Dual Polar Directional Antenna



频段Frequency range (MHz) : 1710-2200/2200-2700

增益Gain : $\geq 8/9$ dBi水平波瓣宽度Horizontal Beam width : $65^\circ/60^\circ$ 垂直波瓣宽度Vertical 3 dB beam width : $65^\circ/60^\circ$

电性能指标 Electrical Properties

	1710~2200	2200~2700
频率范围Frequency range (MHz)	1710~2200	2200~2700
极化方式Polarization	$\pm 45^\circ$	
增益Gain (dBi)	8	9
水平面半功率波束宽度Horizontal 3 dB beam width ($^\circ$)	65	60
垂直面半功率波束宽度Vertical 3 dB beam width ($^\circ$)	65	60
旁瓣抑制Side lobe suppression	≥ 20	
驻波比VSWR	≤ 1.5	
端口隔离Interband isolation (dB)	≥ 28	
前后比Front to back ratio,(dB)	≥ 25	
交叉极化比Cross polar ratio, 0° (dB)	≥ 20	
三阶互调Inter modulation IM3 (dBc)	$\leq -150(2 \times 43 \text{ dBm carrier})$	
功率容限Max. effective power per port (W)	100	
阻抗Impedance (Ω)	50	

机械性能指标 Mechanical Properties

天线尺寸Antenna dimensions (H x W x D)(mm)	175x173x93
天线重量Antenna weight (kg)	≤ 1.3
天线罩材质Radome material	FRP
天线罩颜色Radome colour	浅灰 Light grey
工作温度Operational temperature ($^\circ\text{C}$)	$-40 \sim +60$
安装方式Mounting Type	/
抱杆直径Bracket Diameter(mm)	/
机械调整范围Install Position Adjustment($^\circ$)	/
防护等级Protection class	IP24
承载风速Max Wind Speed (m/s)	210
接头类型Connector	2x4.3-10 Female
接地方式Grounding	直流接地DC grounding



SL12544C

定向板状天线

Directional Plate Antenna

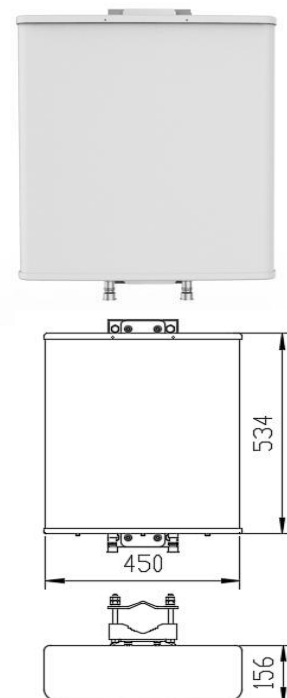
频段Frequency range (MHz) : 698-960/1710-2700 增益Gain : $\geq 11 \sim 12$ dBi水平波瓣宽度Horizontal Beam width : $35^\circ/35^\circ$ 垂直波瓣宽度Vertical 3 dB beam width : $35^\circ/35^\circ$

电性能指标 Electrical Properties

频率范围Frequency range (MHz)	698-800	800-960	1710-2200	2200-2700
极化方式Polarization	$\pm 45^\circ$			
增益Gain (dBi)	11	12	11	12
上旁瓣抑制Side lobe suppression for first side lobe above main beam (dB)	/			
电下倾角Electrical Downtilt($^\circ$)	/			
水平面半功率波束宽度Horizontal 3 dB beam width($^\circ$)	38	32	40	32
垂直面半功率波束宽度Vertical 3 dB beam width($^\circ$)	35	30	40	30
驻波比VSWR	≤ 1.6			
端口隔离Interband isolation (dB)	≥ 20			
前后比Front to back ratio,(dB)	≥ 20			
交叉极化比Cross polar ratio, 0° (dB)	/			
三阶互调Inter modulation IM3 (dBc)	≤ -150 (43 dBm carrier)			
功率容限Max. effective power per port (W)	100			
阻抗Impedance (Ω)	50			

机械性能指标 Mechanical Properties

天线尺寸Antenna dimensions (H x W x D)(mm)	534x450x156
天线重量Antenna weight (kg)	4.5
天线罩材质Radome material	FRP
天线罩颜色Radome colour	浅灰Light grey
工作温度Operational temperature ($^\circ\text{C}$)	$-40 \sim +60$
安装方式Mounting Type	/
抱杆直径Bracket Diameter(mm)	/
机械调整范围Install Position Adjustment($^\circ$)	/
承载风速Max Wind Speed (m/s)	/
接头类型Connector	4.3-10Female X2
接地方式Grounding	直流接地DC grounding



SL12113A

MIMO定向双极化天线

MIMO Directional Dual Polar Antenna



频段Frequency range (MHz) : 1710-2700

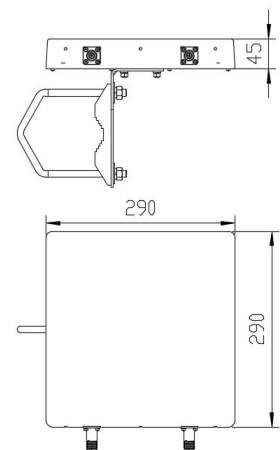
增益Gain : $\geq 15\text{dBi}$ 水平波瓣宽度Horizontal Beam width : $30^\circ/30^\circ$ 垂直波瓣宽度Vertical 3 dB beam width : $30^\circ/30^\circ$

电性能指标 Electrical Properties

频率范围Frequency range (MHz)	1710~2700
极化方式Polarization	$\pm 45^\circ$
增益Gain (dBi)	15
上旁瓣抑制Side lobe suppression for first side lobe above main beam (dB)	/
水平面半功率波束宽度Horizontal 3 dB beam width ($^\circ$)	30
垂直面半功率波束宽度Vertical 3 dB beam width ($^\circ$)	30
驻波比VSWR	≤ 1.8
端口隔离Interband isolation (dB)	≥ 20
前后比Front to back ratio,(dB)	≥ 25
三阶互调Inter modulation IM3 (dBc)	$\leq -140(2 \times 33 \text{ dBm carrier})$
功率容限Max. effective power per port (W)	50
阻抗Impedance (Ω)	50

机械性能指标 Mechanical Properties

天线尺寸Antenna dimensions (H x W x D)(mm)	290×290×45
天线重量Antenna weight (kg)	≤ 2.7
天线罩材质Radome material	ABS+PC
天线罩颜色Radome colour	白色/White
工作温度Operational temperature ($^\circ\text{C}$)	$-30 \sim +55$
安装方式Mounting Type	/
抱杆直径Bracket Diameter(mm)	/
机械调整范围Install Position Adjustment($^\circ$)	/
承载风速Max Wind Speed (m/s)	200
接头类型Connector	N- Female X2
接地方式Grounding	直流接地DC grounding



SL12844A
定向天线
Directional Antenna



频段Frequency range (MHz) : 4900-5850

增益Gain : ≥ 11 dBi

水平波瓣宽度Horizontal 3 dB beam width : 60°

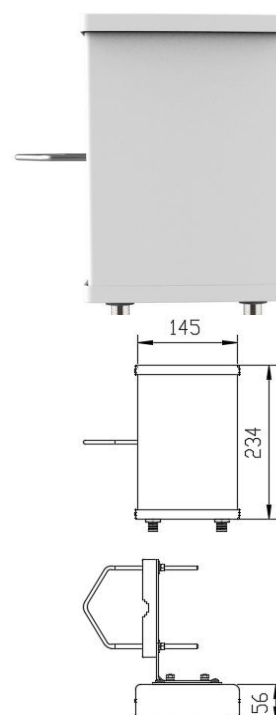
垂直波瓣宽度Vertical 3 dB beam width : 30°

电性能指标 Electrical Properties

频率范围Frequency range (MHz)	4900-5850
极化方式Polarization	$\pm 45^\circ$
增益Gain (dBi)	11
上旁瓣抑制Side lobe suppression for first side lobe above main beam (dB)	/
电下倾角Electrical Down tilt($^\circ$)	0
水平面半功率波束宽度Horizontal 3 dB beam width ($^\circ$)	60
垂直面半功率波束宽度Vertical 3 dB beam width ($^\circ$)	30
驻波比VSWR	≤ 2.0
端口隔离Interband isolation (dB)	≥ 28
前后比Front to back ratio,(dB)	≥ 20
交叉极化比Cross polar ratio, 0° (dB)	/
三阶互调Inter modulation IM3 (dBc)	/
功率容限Max. effective power per port (W)	50
阻抗Impedance (Ω)	50

机械性能指标 Mechanical Properties

天线尺寸Antenna dimensions (H x W x D) (mm)	234x145x56
天线重量Antenna weight (kg)	1
天线罩材质Radome material	UPVC
天线罩颜色Radome colour	浅灰色Light grey
工作温度Operational temperature ($^\circ\text{C}$)	$-40 \sim +60$
安装方式Mounting Type	抱杆安装Pole mounting
抱杆直径Bracket Diameter(mm)	$\Phi 30 \sim \Phi 110$
机械调整范围Install Position Adjustment($^\circ$)	/
承载风速Max Wind Speed (m/s)	55
接头类型Connector	N-Female X2
接地方式Grounding	直流接地DC grounding



SL12845A
定向天线
Directional Antenna



频段Frequency range (MHz) : 5150-5850

增益Gain : 19dBi

水平波瓣宽度Horizontal Beam width : 15°

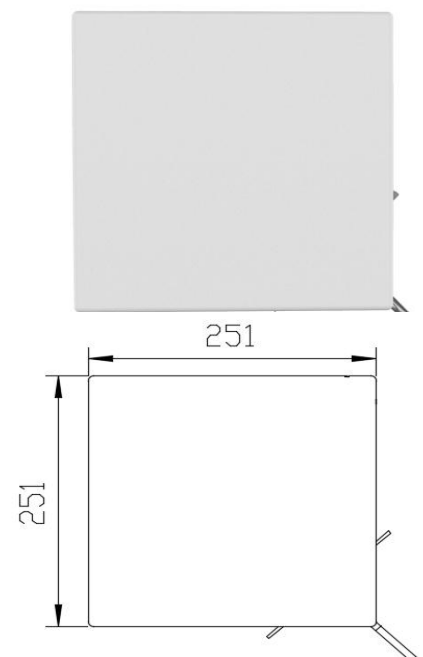
垂直波瓣宽度Vertical 3 dB beam width : 15°

电性能指标 Electrical Properties

频率范围Frequency range (MHz)	5150-5850
极化方式Polarization	±45°
增益Gain (dBi)	19±1
上旁瓣抑制Side lobe suppression for first side lobe above main beam (dB)	/
电下倾角Electrical Down tilt(°)	0
水平面半功率波束宽度Horizontal 3 dB beam width (°)	15±3
垂直面半功率波束宽度Vertical 3 dB beam width (°)	15±3
驻波比VSWR	≤1.8
端口隔离Interband isolation (dB)	≥30
前后比Front to back ratio,(dB)	≥25
交叉极化比Cross polar ratio, 0° (dB)	/
三阶互调Inter modulation IM3 (dBc)	/
功率容限Max. effective power per port (W)	50
阻抗Impedance (Ω)	50

机械性能指标 Mechanical Properties

天线尺寸Antenna dimensions (H x W x D)(mm)	251x251x25
天线重量Antenna weight (kg)	1.3
天线罩材质Radome material	ABS+PC
天线罩颜色Radome colour	浅灰色Light grey
工作温度Operational temperature (°C)	-40 ~ +60
安装方式Mounting Type	抱杆安装Pole mounting
抱杆直径Bracket Diameter(mm)	Φ30 ~ Φ114
机械调整范围Install Position Adjustment(°)	/
承载风速Max Wind Speed (m/s)	55
接头类型Connector	N-Female X2
接地方式Grounding	直流接地DC grounding



SL12872A
定向天线
Directional Antenna



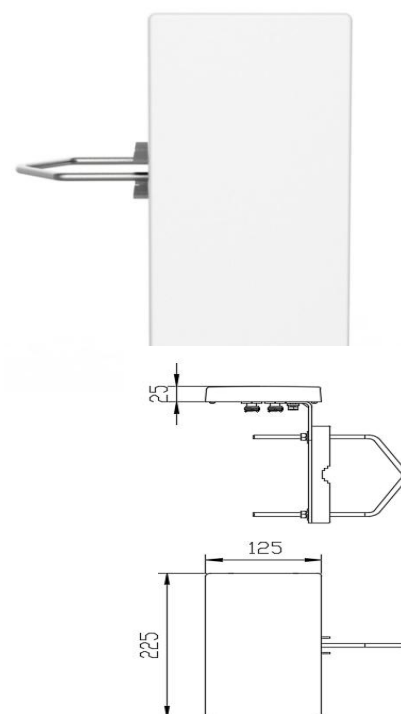
频段Frequency range (MHz) : 5150-5850 增益Gain : ≥ 14 dBi
水平波瓣宽度Horizontal Beam width : 32° 垂直波瓣宽度Vertical 3 dB beam width : 32°

电性能指标 Electrical Properties

频率范围Frequency range (MHz)	5150-5850
极化方式Polarization	$\pm 45^\circ$
增益Gain (dBi)	≥ 14
上旁瓣抑制Side lobe suppression for first side lobe above main beam (dB)	/
电下倾角Electrical Down tilt($^\circ$)	0
水平面半功率波束宽度Horizontal 3 dB beam width($^\circ$)	32
垂直面半功率波束宽度Vertical 3 dB beam width($^\circ$)	32
驻波比VSWR	≤ 1.8
端口隔离Interband isolation (dB)	≥ 28
前后比Front to back ratio,(dB)	≥ 28
交叉极化比Cross polar ratio, 0° (dB)	/
三阶互调Inter modulation IM3 (dBc)	/
功率容限Max. effective power per port (W)	50
阻抗Impedance (Ω)	50

机械性能指标 Mechanical Properties

天线尺寸Antenna dimensions (H x W x D) (mm)	225x125x25
天线重量Antenna weight (kg)	0.8
天线罩材质Radome material	ABS+PC
天线罩颜色Radome colour	浅灰色Light grey
工作温度Operational temperature ($^\circ\text{C}$)	$-40 \sim +60$
安装方式Mounting Type	抱杆安装Pole mounting
抱杆直径Bracket Diameter(mm)	$\Phi 30 \sim \Phi 114$
机械调整范围Install Position Adjustment($^\circ$)	$-30 \sim +30$
承载风速Max Wind Speed (m/s)	55
接头类型Connector	N-Female X2
接地方式Grounding	直流接地DC grounding



SL12128A
多频板状天线
Multi-band Panel Antenna



频段Frequency range (MHz) : 2400-2500/5150-5850

增益Gain : 11/14dBi

水平波瓣宽度Horizontal Beam width : 65°/65°

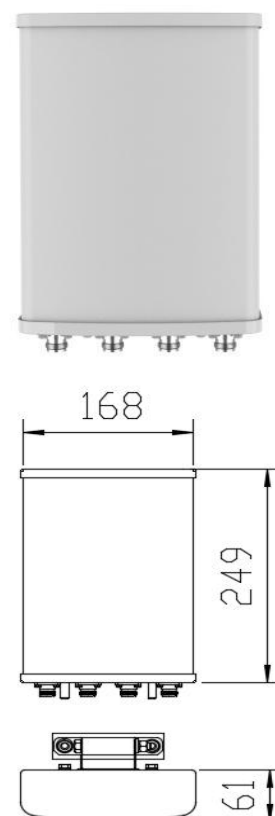
垂直波瓣宽度Vertical 3 dB beam width : 30°/13°

电性能指标 Electrical Properties

频率范围Frequency range (MHz)	2400~2500	5150~5850
极化方式Polarization	垂直水平Vertical & Horizontal	±45°
增益Gain (dBi)	11±1	14±1
上旁瓣抑制Side lobe suppression for first side lobe above main beam (dB)	/	
水平面半功率波束宽度Horizontal 3 dB beam width (°)	65±10	65±10
垂直面半功率波束宽度Vertical 3 dB beam width (°)	30±4	13±3
驻波比VSWR	≤2.0	
端口隔离Interband isolation (dB)	≥20	
前后比Front to back ratio,(dB)	≥25	
功率容限Max. effective power per port (W)	50	
阻抗Impedance (Ω)	50	

机械性能指标 Mechanical Properties

天线尺寸Antenna dimensions (H x W x D)(mm)	249×168×61
天线重量Antenna weight (kg)	1.5
天线罩材质Radome material	UPVC
天线罩颜色Radome colour	浅灰色Light grey
工作温度Operational temperature (°C)	-40 ~ +60
安装方式Mounting Type	抱杆安装Pole mounting
抱杆直径Bracket Diameter(mm)	Φ35 ~ Φ76
机械调整范围Install Position Adjustment(°)	/
承载风速Max Wind Speed (m/s)	210
接头类型Connector	N-Female X4
接地方式Grounding	直流接地DC grounding



SL12121A
5G定向天线
5G Directional Antenna



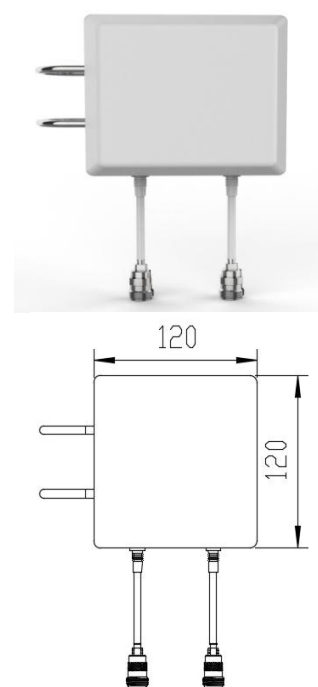
频段Frequency range (MHz) : 5150-5850 增益Gain : 14dBi
水平波瓣宽度Horizontal 3 dB beam width : 32° 垂直波瓣宽度Vertical 3 dB beam width : 32°

电性能指标 Electrical Properties

频率范围Frequency range (MHz)	5150-5850
极化方式Polarization	垂直&水平 Vertical&Horizontal
增益Gain (dBi)	14±1
上旁瓣抑制Side lobe suppression for first side lobe above main beam (dB)	/
电下倾角Electrical Down tilt(°)	0
水平面半功率波束宽度Horizontal 3 dB beam width (°)	32
垂直面半功率波束宽度Vertical 3 dB beam width (°)	32
驻波比VSWR	≤1.8
端口隔离Interband isolation (dB)	≥25
前后比Front to back ratio,(dB)	≥25
交叉极化比Cross polar ratio, 0° (dB)	/
三阶互调Inter modulation IM3 (dBc)	/
功率容限Max. effective power per port (W)	50
阻抗Impedance (Ω)	50

机械性能指标 Mechanical Properties

天线尺寸Antenna dimensions (H x W x D)(mm)	120x120x40
天线重量Antenna weight (kg)	0.25
天线罩材质Radome material	工程塑料Engineering Plastics
天线罩颜色Radome colour	浅灰Light grey
工作温度Operational temperature (°C)	-40 ~ +60
安装方式Mounting Type	/
抱杆直径Bracket Diameter(mm)	Φ30 ~ Φ50
机械调整范围Install Position Adjustment(°)	-30~+30
承载风速Max Wind Speed (m/s)	55
接头类型Connector	N-Female X2
接地方式Grounding	直流接地DC grounding



SL12127A 宽频板状天线

Wide-band Panel Antenna



频段Frequency range (MHz) : 5150-5850

增益Gain : 15dBi

水平波瓣宽度Horizontal Beam width : 45°

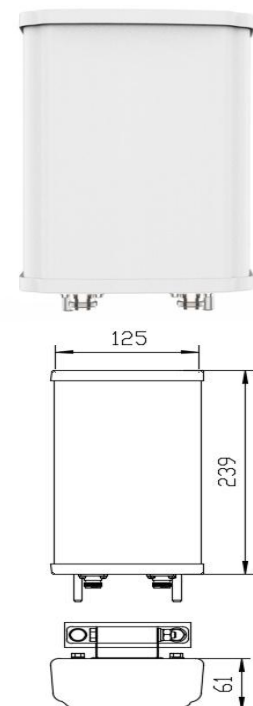
垂直波瓣宽度Vertical 3 dB beam width : 15°

电性能指标 Electrical Properties

频率范围Frequency range (MHz)	5150-5850
极化方式Polarization	±45°
增益Gain (dBi)	15±1
上旁瓣抑制Side lobe suppression for first side lobe above main beam (dB)	/
电下倾角Electrical Down tilt(°)	0
水平面半功率波束宽度Horizontal 3 dB beam width (°)	45±10
垂直面半功率波束宽度Vertical 3 dB beam width (°)	15±3
驻波比VSWR	≤2.0
端口隔离Interband isolation (dB)	≥ 25
前后比Front to back ratio,(dB)	≥25
交叉极化比Cross polar ratio, 0° (dB)	/
三阶互调Inter modulation IM3 (dBc)	/
功率容限Max. effective power per port (W)	50
阻抗Impedance (Ω)	50

机械性能指标 Mechanical Properties

天线尺寸Antenna dimensions (H x W x D) (mm)	239x125x61
天线重量Antenna weight (kg)	1.1
天线罩材质Radome material	UPVC
天线罩颜色Radome colour	白色White
工作温度Operational temperature (°C)	-40 ~ +60
安装方式Mounting Type	/
抱杆直径Bracket Diameter(mm)	Φ35 ~ Φ76
机械调整范围Install Position Adjustment(°)	/
承载风速Max Wind Speed (m/s)	210
接头类型Connector	N-Female X2
接地方式Grounding	直流接地DC grounding



SL12128A

多频板状天线

Multi-band Panel Antenna



频段Frequency range (MHz) : 2400-2500/5150-5850 增益Gain : 11/14dBi

水平波瓣宽度Horizontal Beam width : 65°/65°

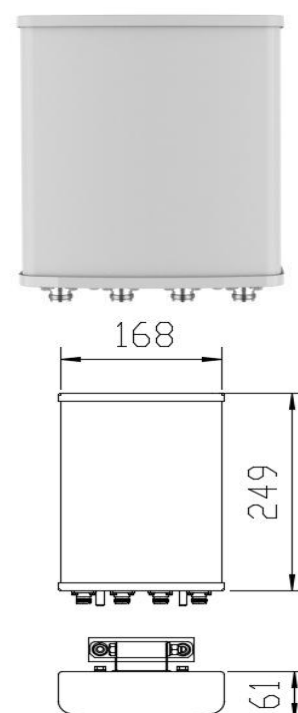
垂直波瓣宽度Vertical 3 dB beam width : 30°/13°

电性能指标 Electrical Properties

电性能指标	2400-2500	5150-5850
频率范围Frequency range (MHz)	2400-2500	5150-5850
极化方式Polarization	垂直水平 Vertical&Horizontal	±45°
增益Gain (dBi)	11±1	14±1
上旁瓣抑制Side lobe suppression for first side lobe above main beam (dB)	/	
电下倾角Electrical Down tilt(°)	/	
水平面半功率波束宽度Horizontal 3 dB beam width (°)	65±10	65±10
垂直面半功率波束宽度Vertical 3 dB beam width (°)	30±4	13±3
驻波比VSWR	≤2.0	≤2.0
端口隔离Interband isolation (dB)	≥20	
前后比Front to back ratio,(dB)	≥25	
交叉极化比Cross polar ratio, 0° (dB)	/	
三阶互调Inter modulation IM3 (dBc)	/	
功率容限Max. effective power per port (W)	50	
阻抗Impedance (Ω)	50	

机械性能指标 Mechanical Properties

天线尺寸Antenna dimensions (H x W x D)(mm)	249x168x61
天线重量Antenna weight (kg)	1.5
天线罩材质Radome material	UPVC
天线罩颜色Radome colour	浅灰Light grey
工作温度Operational temperature (°C)	-40 ~ +60
安装方式Mounting Type	/
抱杆直径Bracket Diameter(mm)	Φ35 ~ Φ76
机械调整范围Install Position Adjustment(°)	/
承载风速Max Wind Speed (m/s)	210
接头类型Connector	N-Female X4
接地方式Grounding	直流接地DC grounding



SL13336A

全向天线

Omnidirectional Antenna



频段Frequency range (MHz) : 470-510MHz

增益Gain : 5dBi

水平波瓣宽度Horizontal Beam width : 360°

垂直波瓣宽度Vertical 3 dB beam width : 28°

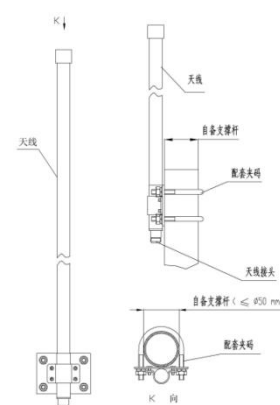
电性能指标 Electrical Properties

频率范围Frequency range (MHz)	470-510
极化方式Polarization	垂直(Vertical)
增益Gain (dBi)	5 (峰值peak value)
上旁瓣抑制Side lobe suppression for first side lobe above main beam (dB)	/
垂直波瓣宽度Vertical Beamwidth(°)	28
驻波比VSWR	≤1.85
端口隔离Interband isolation (dB)	/
前后比Front to back ratio,(dB)	/
交叉极化比Cross polar ratio, 0° (dB)	/
三阶互调Intermodulation IM3 (dBc)	/
功率容限Max. effective power per port (W)	100
端口阻抗Impedance (Ω)	50
接口形式Input Connector	N female

机械性能指标 Mechanical Properties

天线尺寸Antenna dimensions (H x W x D)(mm)	1330×Φ20
天线重量Antenna weight (kg)	1
安装架重量Weight of Mounting Kits(kg)	1.1
天线罩材质Radome material	玻璃钢 (FRP)
天线罩颜色Radome colour	/
工作温度Operational temperature (°C)	-40 ~ +60
抱杆直径Bracket Diameter(mm)	Φ40 ~ Φ50

安装示意图



1. 按示意图安装天线;
2. 测试正常后紧固所有螺钉, 做好接头防水。

SL13326B
全向天线
Omnidirectional Antenna



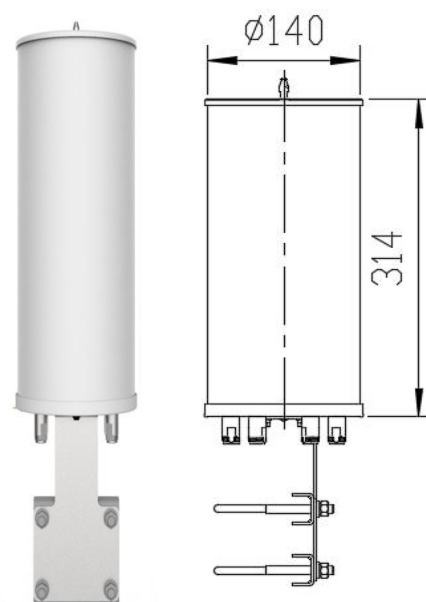
频段Frequency range (MHz) : 2400-2483/5150-5850MHz 增益Gain : 6/8dBi

水平波瓣宽度Horizontal Beam width : 360° 垂直波瓣宽度Vertical 3 dB beam width : 17°



电性能指标 Electrical Properties		
频率范围Frequency range (MHz)	2400-2483	5150-5850
极化方式Polarization	垂直(Vertical)	垂直(Vertical)
增益Gain (dBi)	6±1	8±1
水平波瓣宽度Horizontal Beamwidth(°)	360	
垂直波瓣宽度Vertical Beamwidth(°)	17	
驻波比VSWR	≤1.5	
端口隔离Interband isolation (dB)	≥25	
前后比Front to back ratio,(dB)	≥25	
交叉极化比Cross polar ratio, 0° (dB)	/	
三阶互调Intermodulation IM3 (dBc)	/	
功率容限Max. effective power per port (W)	20	
端口阻抗Impedance (Ω)	50	
接口形式Input Connector	4*N female	
闪电保护Lightning Protection	直流感地DC ground	

机械性能指标 Mechanical Properties	
天线尺寸Antenna dimensions (H x W x D)(mm)	φ140×310
天线重量Antenna weight (kg)	1.5
安装架重量Weight of Mounting Kits(kg)	/
天线罩材质Radome material	工程塑料 (Engineering Plastic)
抗风强度Rated Wind Velocity(km/h)	210
工作温度Operational temperature (°C)	-40 ~ +60
支撑杆Installation pole(mm)	Φ34 ~ Φ68



SL13326A
全向天线
Omnidirectional Antenna



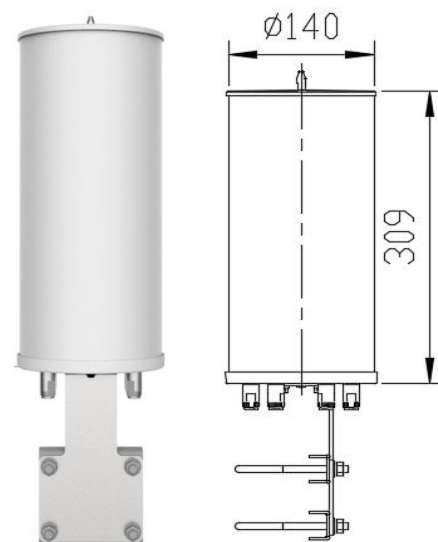
频段Frequency range (MHz) : 2400-2483/5150-5850MHz 增益Gain : 6/8dBi

水平波瓣宽度Horizontal Beam width : 360° 垂直波瓣宽度Vertical 3 dB beam width : 17°



电性能指标 Electrical Properties		
频率范围Frequency range (MHz)	2400-2483	5150-5850
极化方式Polarization	垂直(Vertical)	垂直(Vertical)
增益Gain (dBi)	6±1	8±1
水平波瓣宽度Horizontal Beamwidth(°)	360	
垂直波瓣宽度Vertical Beamwidth(°)	17	
驻波比VSWR	≤1.5	
端口隔离Interband isolation (dB)	≥25	
前后比Front to back ratio,(dB)	≥25	
交叉极化比Cross polar ratio, 0° (dB)	/	
三阶互调Intermodulation IM3 (dBc)	/	
功率容限Max. effective power per port (W)	20	
端口阻抗Impedance (Ω)	50	
接口形式Input Connector	6*N female	
闪电保护Lightning Protection	直流接地DC ground	

机械性能指标 Mechanical Properties	
天线尺寸Antenna dimensions (H x W x D)(mm)	φ140×310
天线重量Antenna weight (kg)	1.5
安装架重量Weight of Mounting Kits(kg)	/
天线罩材质Radome material	防紫外线ABS&PMMA (UV protected ABS&PMMA)
抗风强度Rated Wind Velocity(km/h)	210
工作温度Operational temperature (°C)	-40 ~ +60
支撑杆Installation pole(mm)	Φ34 ~ Φ68



SL16653D

2G/3.5G宽频4+4端口矩形波束射灯天线

2G/3.5G broadband 4+4 port rectangular beam spotlight antenna



频段Frequency range (MHz) : 1710-2170MHz/3400-3600

增益Gain : \geq /13.5dBi

水平波瓣宽度Horizontal Beam width : 35°

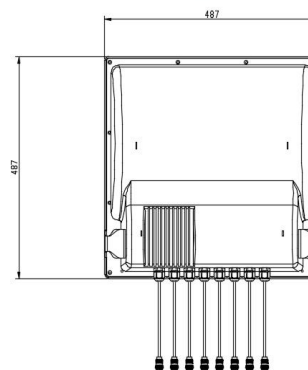
垂直波瓣宽度Vertical 3 dB beam width : 35°

电性能指标 Electrical Properties

频率范围Frequency range (MHz)	1710-2170/3400-3600
极化方式Polarization	$\pm 45^\circ$
增益Gain (dBi)	≥ 13.5
水平波瓣宽度Horizontal Beam width (°)	35 ± 10
垂直波瓣宽度Vertical Beam Width (°)	35 ± 10
电压驻波比VSWR	≤ 1.4
前后辐射比Front to back ratio (dB)	≥ 23
隔离度Interband isolation (dB)	≥ 25
交叉极化比轴向Cross polarization ratio axial (dB)	≥ 15
交叉极化比 $\pm 15^\circ$ Cross polarization ratio $\pm 15^\circ$ (dB)	≥ 8
三阶互调Intermodulation IM3 (2 \times 37dBm)	≤ -97 (2G)
平均功率容量Average power capacity (W)	≥ 150
端口阻抗Impedance (Ω)	50
接口方式Connector type	8*N型接头

机械性能指标 Mechanical Properties

引线长度(外罩端面量取) Lead Length	≥ 200 mm
天线尺寸Antenna dimensions (H x W x D) (mm)	$\leq 487 \times 487 \times 145$
天线重量Antenna weight (kg)	≤ 6
机械调整范围Range of mechanical adjustment (°)	± 45
反射板厚度Thickness of reflector	≥ 2.5 mm
工作温度working temperature (°)	-55 ~ +75
承载风速wind speed (m/s)	55
天线罩材料Radome material	耐候PP
安装方式Installation mode	挂墙安装



SL15692D

单极化垂直面大张角射灯天线

Single polarized vertical plane large angle spotlight antenna



频率Frequency range (MHz) : 806-960/1710-2700/3300-3700 增益Gain : $\geq 10/\geq 13/\geq 13$ dBi

水平面波瓣宽度Horizontal Beam width : $20-35^\circ/15-35^\circ$

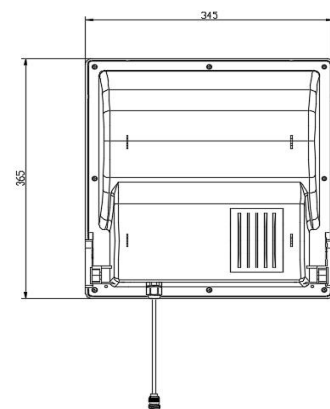
垂直面波瓣宽度Vertical 3 dB beam width : $\geq 60^\circ$

电性能指标 Electrical Properties

频率范围Frequency range (MHz)	806-960	1710-2170	2300-2700	3300-3700
增益Gain (dBi)	≥ 10	≥ 12	≥ 13	≥ 13
极化方式Polarization	垂直Vertical			
3dB波瓣宽度 3dB lobe width	E面E-Plane ($^\circ$)	≥ 60		
	H面H-Plane ($^\circ$)	[20,35]	[20,35]	[15,35]
前后比Front to back ratio (dB)	≥ 20	≥ 23	≥ 23	≥ 23
电压驻波比VSWR	≤ 1.5			
三阶互调Intermodulation IM3 (2×43 dBm)	≤ -90			
五阶互调Intermodulation IM5 (2×43 dBm)	≤ -105			
平均功率容量Average power capacity	≥ 100 W			
输入阻抗Input impedance	50Ω			
雷电保护Lightning Protection	直流感地DC ground			

机械性能指标 Mechanical Properties

尺寸 (长 x 宽 x 高) Size(mm)	$\leq 365 \times 345 \times 125$ mm
净重Weight (kg)	≤ 2.8
接头类型Joint type	N-K
天线罩材料Radome material	耐候PP Weatherproof PP
面板材料Panel material	耐候PP Weatherproof PP



SL15692E

单极化水平面大张角射灯天线

Single polarized horizontal plane large angle spotlight antenna



频率Frequency range (MHz) : 806-960/1710-2700/3300-3700 增益Gain : $\geq 10/\geq 13/\geq 13$ dBi

水平面波瓣宽度Horizontal Beam width : $\geq 60^\circ$

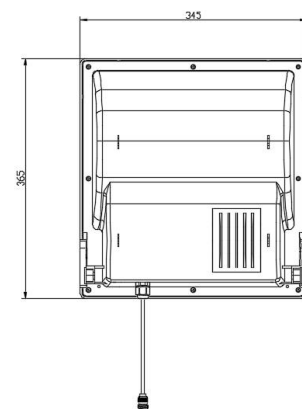
垂直面波瓣宽度Vertical 3 dB beam width : $20-35^\circ/15-35^\circ$

电性能指标 Electrical Properties

频率范围Frequency range (MHz)	806-960	1710-2170	2300-2700	3300-3700
增益Gain (dBi)	≥ 10	≥ 12	≥ 13	≥ 13
极化方式Polarization	垂直Vertical			
3dB波瓣宽度 3dB lobe width	H面E-Plane ($^\circ$)	≥ 60		
	E面H-Plane ($^\circ$)	[20,35]	[20,35]	[15,35]
前后比Front to back ratio (dB)	≥ 20	≥ 23	≥ 23	≥ 23
电压驻波比VSWR	≤ 1.5			
三阶互调Intermodulation IM3 (2×43 dBm)	≤ -90			
五阶互调Intermodulation IM5 (2×43 dBm)	≤ -105			
平均功率容量Average power capacity	≥ 100 W			
输入阻抗Input impedance	50 Ω			
雷电保护Lightning Protection	直流感地DC ground			

机械性能指标 Mechanical Properties

尺寸 (长 x宽x 高) Size(mm)	$\leq 365 \times 345 \times 125$ mm
净重Weight (kg)	≤ 2.8
接头类型Joint type	N-K
天线罩材料Radome material	耐候PP Weatherproof PP
面板材料Panel material	耐候PP Weatherproof PP



SL16652A

800M单频2端口水平大张角射灯天线

800M single frequency 2-port horizontal large angle spotlight antenna



频段Frequency range (MHz) : 820-960MHz

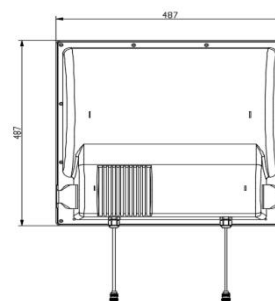
增益Gain : ≥ 10 dB水平波瓣宽度Horizontal Beam width : 60° 垂直波瓣宽度Vertical 3 dB beam width : 35°

电性能指标 Electrical Properties

频率范围Frequency range (MHz)	820-960
极化方式Polarization	$\pm 45^\circ$
增益Gain (dBi)	≥ 10
水平波瓣宽度Horizontal Beam width ($^\circ$)	60 ± 10
垂直波瓣宽度Vertical Beam Width ($^\circ$)	35 ± 10
电压驻波比VSWR	≤ 1.4
前后辐射比Front to back ratio, $\pm 30^\circ$ (dB)	≥ 23
隔离度Interband isolation (dB)	≥ 25
交叉极化比轴向Cross polarization ratio axial (dB)	≥ 15
交叉极化比 $\pm 30^\circ$ Cross polarization ratio $\pm 30^\circ$ (dB)	≥ 10
三阶互调Intermodulation IM3 (2×37 dBm)	≤ -97
平均功率容量Average power capacity (W)	≥ 150
端口阻抗Impedance (Ω)	50
接口方式Connector type	2*N型接头

机械性能指标 Mechanical Properties

引线长度(外罩端面量取) Lead Length	≥ 200 mm
天线尺寸Antenna dimensions (H x W x D) (mm)	$\leq 487 \times 487 \times 145$
天线重量Antenna weight (kg)	≤ 6
机械调整范围Range of mechanical adjustment ($^\circ$)	± 45
反射板厚度Thickness of reflector	≥ 2.5 mm
工作温度working temperature ($^\circ$)	$-55 \sim +75$
承载风速wind speed (m/s)	55
天线罩材料Radome material	耐候PP
安装方式Installation mode	挂墙安装



SL16652B

800M单频2端口垂直大张角射灯天线

800M single frequency 2-port vertical large angle spotlight antenna



频段Frequency range (MHz) : 820-960

增益Gain : $\geq 10\text{dBi}$

水平波瓣宽度Horizontal Beam width : 35°

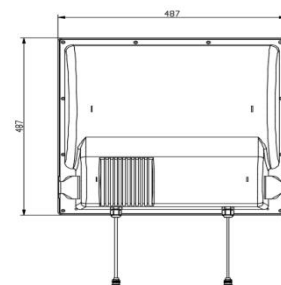
垂直波瓣宽度Vertical 3 dB beam width : 60°

电性能指标 Electrical Properties

频率范围Frequency range (MHz)	820-960
极化方式Polarization	$\pm 45^\circ$
增益Gain (dBi)	≥ 10
水平波瓣宽度Horizontal Beam width ($^\circ$)	35 ± 10
垂直波瓣宽度Vertical Beam Width ($^\circ$)	60 ± 10
电压驻波比VSWR	≤ 1.4
前后辐射比Front to back ratio (dB)	≥ 23
隔离度Interband isolation (dB)	≥ 25
交叉极化比轴向Cross polarization ratio axial (dB)	≥ 15
交叉极化比 $\pm 15^\circ$ Cross polarization ratio $\pm 15^\circ$ (dB)	≥ 10
三阶互调Intermodulation IM3 ($2 \times 37\text{dBm}$)	≤ -97
平均功率容量Average power capacity (W)	≥ 150
端口阻抗Impedance (Ω)	50
接口方式Connector type	2*N型接头

机械性能指标 Mechanical Properties

引线长度(外罩端面量取) Lead Length	$\geq 200\text{mm}$
天线尺寸Antenna dimensions (H x W x D) (mm)	$\leq 487 \times 487 \times 145$
天线重量Antenna weight (kg)	≤ 6
机械调整范围Range of mechanical adjustment ($^\circ$)	± 45
反射板厚度Thickness of reflector	$\geq 2.5\text{mm}$
工作温度working temperature ($^\circ$)	$-55 \sim +75$
承载风速wind speed (m/s)	55
天线罩材料Radome material	耐候PP
安装方式Installation mode	挂墙安装



SL16652C

800M单频2端口矩形波束射灯天线

800M single frequency 2-port rectangular beam spotlight antenna



频段Frequency range (MHz) : 820-960

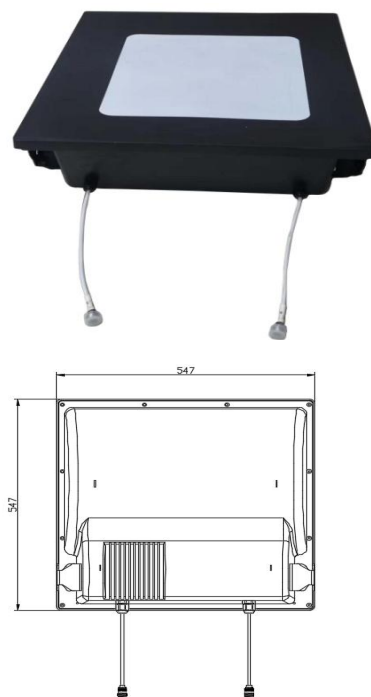
增益Gain : $\geq 10\text{dBi}$ 水平波瓣宽度Horizontal Beam width : 35° 垂直波瓣宽度Vertical 3 dB beam width : 35°

电性能指标 Electrical Properties

频率范围Frequency range (MHz)	820-960
极化方式Polarization	$\pm 45^\circ$
增益Gain (dBi)	≥ 10
水平波瓣宽度Horizontal Beam width ($^\circ$)	35 ± 10
垂直波瓣宽度Vertical Beam Width ($^\circ$)	35 ± 10
电压驻波比VSWR	≤ 1.4
前后辐射比Front to back ratio (dB)	≥ 23
隔离度Interband isolation (dB)	≥ 25
交叉极化比轴向Cross polarization ratio axial (dB)	≥ 15
交叉极化比 $\pm 15^\circ$ Cross polarization ratio $\pm 15^\circ$ (dB)	≥ 10
三阶互调Intermodulation IM3 ($2 \times 37\text{dBm}$)	≤ -97
平均功率容量Average power capacity (W)	≥ 150
端口阻抗Impedance (Ω)	50
接口方式Connector type	2*N型接头

机械性能指标 Mechanical Properties

引线长度(外罩端面量取) Lead Length	$\geq 200\text{mm}$
天线尺寸Antenna dimensions (H x W x D (mm))	$\leq 547 \times 547 \times 190$
天线重量Antenna weight (kg)	≤ 8
机械调整范围Range of mechanical adjustment ($^\circ$)	± 45
反射板厚度Thickness of reflector	$\geq 2.5\text{mm}$
工作温度working temperature ($^\circ$)	$-55 \sim +75$
承载风速wind speed (m/s)	55
天线罩材料Radome material	耐候PP
安装方式Installation mode	挂墙安装



SL16652F

2G宽频2端口水平大张角射灯天线

2G broadband 2-port horizontal large angle spotlight antenna



频段Frequency range (MHz) : 1710-2170

增益Gain : $\geq 10\text{dBi}$

水平波瓣宽度Horizontal Beam width : 60°

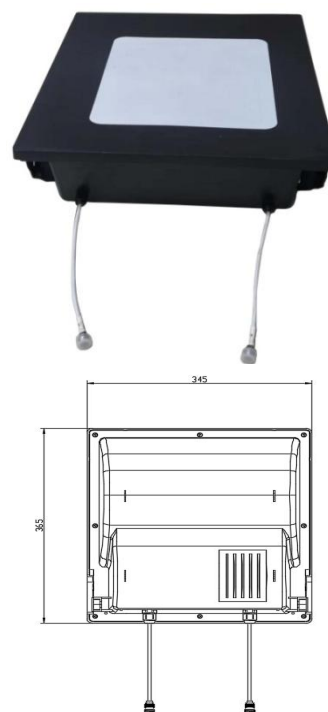
垂直波瓣宽度Vertical 3 dB beam width : 35°

电性能指标 Electrical Properties

频率范围Frequency range (MHz)	1710-2170
极化方式Polarization	$\pm 45^\circ$
增益Gain (dBi)	≥ 10
水平波瓣宽度Horizontal Beam width ($^\circ$)	60 ± 10
垂直波瓣宽度Vertical Beam Width ($^\circ$)	35 ± 10
电压驻波比VSWR	≤ 1.4
前后辐射比Front to back ratio (dB)	≥ 23
隔离度Interband isolation (dB)	≥ 25
交叉极化比轴向Cross polarization ratio axial (dB)	≥ 15
交叉极化比 $\pm 15^\circ$ Cross polarization ratio $\pm 15^\circ$ (dB)	≥ 10
三阶互调Intermodulation IM3 (2 \times 37dBm)	≤ -97
平均功率容量Average power capacity (W)	≥ 150
端口阻抗Impedance (Ω)	50
接口方式Connector type	2*N型接头

机械性能指标 Mechanical Properties

引线长度(外罩端面量取) Lead Length	$\geq 200\text{mm}$
天线尺寸Antenna dimensions (H x W x D) (mm)	$\leq 365 \times 345 \times 125$
天线重量Antenna weight (kg)	≤ 4
机械调整范围Range of mechanical adjustment ($^\circ$)	± 45
反射板厚度Thickness of reflector	$\geq 2.5\text{mm}$
工作温度working temperature ($^\circ$)	$-55 \sim +75$
承载风速wind speed (m/s)	55
天线罩材料Radome material	耐候PP
安装方式Installation mode	挂墙安装



SL16652G

2G宽频2端口垂直大张角射灯天线

2G broadband 2-port vertical large angle spotlight antenna



频段Frequency range (MHz) : 1710-2170

增益Gain : $\geq 10\text{dBi}$

水平波瓣宽度Horizontal Beam width : 35°

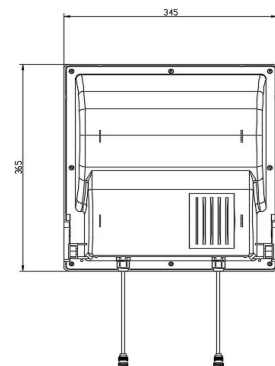
垂直波瓣宽度Vertical 3 dB beam width : 60°

电性能指标 Electrical Properties

频率范围Frequency range (MHz)	1710-2170
极化方式Polarization	$\pm 45^\circ$
增益Gain (dBi)	≥ 10
水平波瓣宽度Horizontal Beam width ($^\circ$)	35 ± 10
垂直波瓣宽度Vertical Beam Width ($^\circ$)	60 ± 10
电压驻波比VSWR	≤ 1.4
前后辐射比Front to back ratio (dB)	≥ 23
隔离度Interband isolation (dB)	≥ 25
交叉极化比轴向Cross polarization ratio axial (dB)	≥ 15
交叉极化比 $\pm 15^\circ$ Cross polarization ratio $\pm 15^\circ$ (dB)	≥ 10
三阶互调Intermodulation IM3 ($2 \times 37\text{dBm}$)	≤ -97
平均功率容量Average power capacity (W)	≥ 150
端口阻抗Impedance (Ω)	50
、	2*N型接头

机械性能指标 Mechanical Properties

引线长度(外罩端面量取) Lead Length	$\geq 200\text{mm}$
天线尺寸Antenna dimensions (H x W x D) (mm)	$\leq 365 \times 345 \times 125$
天线重量Antenna weight (kg)	≤ 4
机械调整范围Range of mechanical adjustment ($^\circ$)	± 45
反射板厚度Thickness of reflector	$\geq 2.5\text{mm}$
工作温度working temperature ($^\circ$)	$-55 \sim +75$
承载风速wind speed (m/s)	55
天线罩材料Radome material	耐候PP
安装方式Installation mode	挂墙安装



SL16652H

2G宽频2端口矩形波束射灯天线

2G broadband 2-port rectangular beam spotlight antenna



频段Frequency range (MHz) : 1710-2170

增益Gain : $\geq 13\text{dBi}$

水平波瓣宽度Horizontal Beam width : 35°

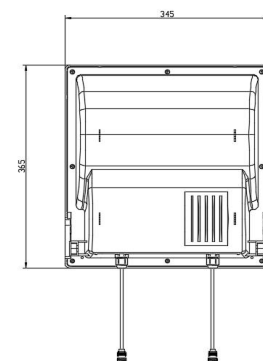
垂直波瓣宽度Vertical 3 dB beam width : 35°

电性能指标 Electrical Properties

频率范围Frequency range (MHz)	1710-2170
极化方式Polarization	$\pm 45^\circ$
增益Gain (dBi)	≥ 13
水平波瓣宽度Horizontal Beam width ($^\circ$)	35 ± 10
垂直波瓣宽度Vertical Beam Width ($^\circ$)	35 ± 10
电压驻波比VSWR	≤ 1.4
前后辐射比Front to back ratio (dB)	≥ 23
隔离度Interband isolation (dB)	≥ 25
交叉极化比轴向Cross polarization ratio axial (dB)	≥ 15
交叉极化比 $\pm 15^\circ$ Cross polarization ratio $\pm 15^\circ$ (dB)	≥ 10
三阶互调Intermodulation IM3 (2 \times 37dBm)	≤ -97
平均功率容量Average power capacity (W)	≥ 150
端口阻抗Impedance (Ω)	50
接口方式Connector type	2*N型接头

机械性能指标 Mechanical Properties

引线长度(外罩端面量取) Lead Length	$\geq 200\text{mm}$
天线尺寸Antenna dimensions (H x W x D) (mm)	$\leq 365 \times 345 \times 125$
天线重量Antenna weight (kg)	≤ 4
机械调整范围Range of mechanical adjustment ($^\circ$)	± 45
反射板厚度Thickness of reflector	$\geq 2.5\text{mm}$
工作温度working temperature ($^\circ$)	$-55 \sim +75$
承载风速wind speed (m/s)	55
天线罩材料Radome material	耐候PP
安装方式Installation mode	挂墙安装



SL16652L

800M/2G宽频2端口水平大张角射灯天线

800M/2G broadband 2-port horizontal large angle spotlight antenna



频段Frequency range (MHz) : 820-960MHz/1710-2170

增益Gain : ≥ 9.5 dB_i/12.5dB_i

水平波瓣宽度Horizontal Beam width : 60°/65°

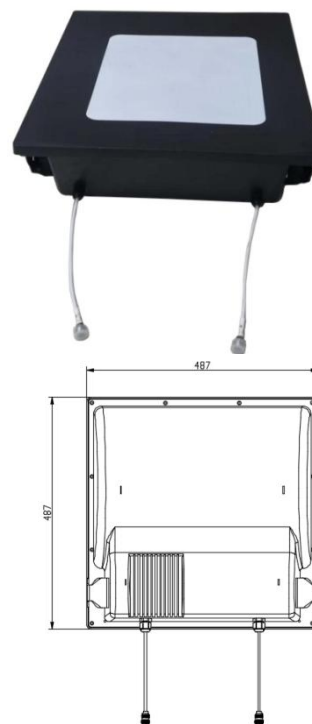
垂直波瓣宽度Vertical 3 dB beam width : 35°/25°

电性能指标 Electrical Properties

频率范围Frequency range (MHz)	820-960	1710-2170
极化方式Polarization	$\pm 45^\circ$	$\pm 45^\circ$
增益Gain (dBi)	≥ 9.5	≥ 12.5
水平波瓣宽度Horizontal Beam width (°)	60 \pm 10	65 \pm 10
垂直波瓣宽度Vertical Beam Width (°)	35 \pm 10	25 \pm 10
电压驻波比VSWR	≤ 1.4	
前后辐射比Front to back ratio (dB)	≥ 23	
隔离度Interband isolation (dB)	≥ 25	
交叉极化比轴向Cross polarization ratio axial (dB)	≥ 15	
交叉极化比 $\pm 15^\circ$ Cross polarization ratio $\pm 15^\circ$ (dB)	≥ 10	
三阶互调Intermodulation IM3 (2 \times 37dBm)	≤ -97	
平均功率容量Average power capacity (W)	≥ 150	
端口阻抗Impedance (Ω)	50	
接口方式Connector type	2*N型接头	

机械性能指标 Mechanical Properties

引线长度(外罩端面量取) Lead Length	≥ 200 mm
天线尺寸Antenna dimensions (H x W x D) (mm)	$\leq 487 \times 487 \times 145$
天线重量Antenna weight (kg)	≤ 6
机械调整范围Range of mechanical adjustment (°)	± 45
反射板厚度Thickness of reflector	≥ 2.5 mm
工作温度working temperature (°)	-55 ~ +75
承载风速wind speed (m/s)	55
天线罩材料Radome material	耐候PP
安装方式Installation mode	挂墙安装



SL16652M

800M/2G宽频2端口垂直大张角射灯天线

800M/2G broadband 2-port vertical large angle spotlight antenna



频段Frequency range (MHz) : 820-960MHz/1710-2170 增益Gain : $\geq 9.5\text{dBi}/12.5\text{dBi}$

水平波瓣宽度Horizontal Beam width : $35^\circ/25^\circ$

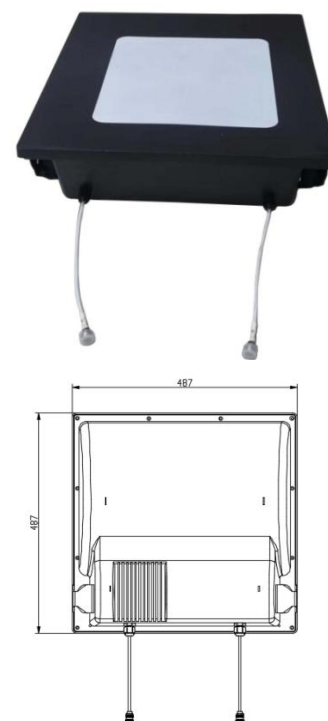
垂直波瓣宽度Vertical 3 dB beam width : $60^\circ/65^\circ$

电性能指标 Electrical Properties

频率范围Frequency range (MHz)	820-960	1710-2170
极化方式Polarization	$\pm 45^\circ$	$\pm 45^\circ$
增益Gain (dBi)	≥ 9.5	≥ 12.5
水平波瓣宽度Horizontal Beam width ($^\circ$)	35 ± 10	25 ± 10
垂直波瓣宽度Vertical Beam Width ($^\circ$)	60 ± 10	65 ± 10
电压驻波比VSWR	≤ 1.4	
前后辐射比Front to back ratio (dB)	≥ 23	
隔离度Interband isolation (dB)	≥ 25	
交叉极化比轴向Cross polarization ratio axial (dB)	≥ 15	
交叉极化比 $\pm 15^\circ$ Cross polarization ratio $\pm 15^\circ$ (dB)	≥ 10	
三阶互调Intermodulation IM3 ($2 \times 37\text{dBm}$)	≤ -97	
平均功率容量Average power capacity (W)	≥ 150	
端口阻抗Impedance (Ω)	50	
接口方式Connector type	2*N型接头	

机械性能指标 Mechanical Properties

引线长度(外罩端面量取) Lead Length	$\geq 200\text{mm}$
天线尺寸Antenna dimensions (H x W x D) (mm)	$\leq 487 \times 487 \times 145$
天线重量Antenna weight (kg)	≤ 6
机械调整范围Range of mechanical adjustment ($^\circ$)	± 45
反射板厚度Thickness of reflector	$\geq 2.5\text{mm}$
工作温度working temperature ($^\circ$)	$-55 \sim +75$
承载风速wind speed (m/s)	55
天线罩材料Radome material	耐候PP
安装方式Installation mode	挂墙安装



SL16652N

800M/2G宽频2端口矩形波束射灯天线

800M/2G broadband 2-port rectangular beam spotlight antenna



频段Frequency range (MHz) : 820-960/1710-2170

增益Gain : ≥ 12.5 dBi

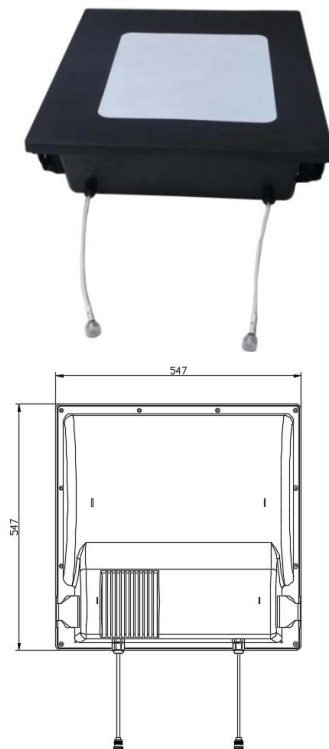
水平波瓣宽度Horizontal Beam width : 35°

垂直波瓣宽度Vertical 3 dB beam width : 35°



电性能指标 Electrical Properties		
频率范围Frequency range (MHz)	820-960	1710-2170
极化方式Polarization	$\pm 45^\circ$	$\pm 45^\circ$
增益Gain (dBi)	≥ 12.5	≥ 12.5
水平波瓣宽度Horizontal Beam width ($^\circ$)	35 ± 10	35 ± 10
垂直波瓣宽度Vertical Beam Width ($^\circ$)	35 ± 10	35 ± 10
电压驻波比VSWR	≤ 1.4	
前后辐射比Front to back ratio (dB)	≥ 23	
隔离度Interband isolation (dB)	≥ 25	
交叉极化比轴向Cross polarization ratio axial (dB)	≥ 15	
交叉极化比 $\pm 15^\circ$ Cross polarization ratio $\pm 15^\circ$ (dB)	≥ 10	
三阶互调Intermodulation IM3 (2 \times 37dBm)	≤ -97	
平均功率容量Average power capacity (W)	≥ 150	
端口阻抗Impedance (Ω)	50	
接口方式Connector type	2*N型接头	

机械性能指标 Mechanical Properties	
引线长度(外罩端面量取) Lead Length	≥ 200 mm
天线尺寸Antenna dimensions (H x W x D) (mm)	$\leq 547 \times 547 \times 190$
天线重量Antenna weight (kg)	≤ 8
机械调整范围Range of mechanical adjustment ($^\circ$)	± 45
反射板厚度Thickness of reflector	≥ 2.5 mm
工作温度working temperature ($^\circ$)	-55 ~ +75
承载风速wind speed (m/s)	55
天线罩材料Radome material	耐候PP
安装方式Installation mode	挂墙安装



SL16652U

3.5G宽频2端口垂直大张角射灯天线

3.5G broadband 2-port vertical large angle spotlight antenna



频段Frequency range (MHz) : 3400-3600

增益Gain : $\geq 10\text{dBi}$

水平波瓣宽度Horizontal Beam width : 35°

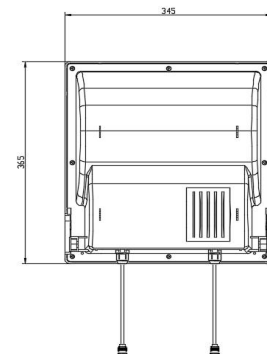
垂直波瓣宽度Vertical 3 dB beam width : 60°

电性能指标 Electrical Properties

频率范围Frequency range (MHz)	3400-3600
极化方式Polarization	$\pm 45^\circ$
增益Gain (dBi)	≥ 10
水平波瓣宽度Horizontal Beam width ($^\circ$)	35 ± 10
垂直波瓣宽度Vertical Beam Width ($^\circ$)	60 ± 10
电压驻波比VSWR	≤ 1.4
前后辐射比Front to back ratio (dB)	≥ 23
隔离度Interband isolation (dB)	≥ 25
交叉极化比轴向Cross polarization ratio axial (dB)	≥ 15
交叉极化比 $\pm 15^\circ$ Cross polarization ratio $\pm 15^\circ$ (dB)	≥ 10
三阶互调Intermodulation IM3 ($2 \times 37\text{dBm}$)	≤ -97
平均功率容量Average power capacity (W)	≥ 150
端口阻抗Impedance (Ω)	50
接口方式Connector type	2*N型接头

机械性能指标 Mechanical Properties

引线长度(外罩端面量取) Lead Length	$\geq 200\text{mm}$
天线尺寸Antenna dimensions (H x W x D) (mm)	$\leq 365 \times 345 \times 125$
天线重量Antenna weight (kg)	≤ 4
机械调整范围Range of mechanical adjustment ($^\circ$)	± 45
反射板厚度Thickness of reflector	$\geq 2.5\text{mm}$
工作温度working temperature ($^\circ$)	$-55 \sim +75$
承载风速wind speed (m/s)	55
天线罩材料Radome material	耐候PP
安装方式Installation mode	挂墙安装



SL16652V

3.5G宽频2端口水平大张角射灯天线

3.5G broadband 2-port horizontal large angle spotlight antenna



频段Frequency range (MHz) : 3400-3600

增益Gain : ≥ 10 dBi

水平波瓣宽度Horizontal Beam width : 60°

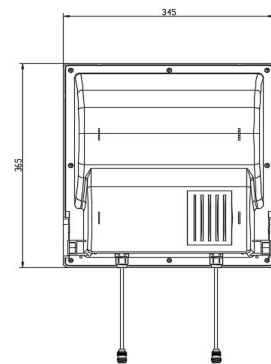
垂直波瓣宽度Vertical 3 dB beam width : 35°

电性能指标 Electrical Properties

频率范围Frequency range (MHz)	3400-3600
极化方式Polarization	$\pm 45^\circ$
增益Gain (dBi)	≥ 10
水平波瓣宽度Horizontal Beam width ($^\circ$)	60 ± 10
垂直波瓣宽度Vertical Beam Width ($^\circ$)	35 ± 10
电压驻波比VSWR	≤ 1.4
前后辐射比Front to back ratio (dB)	≥ 23
隔离度Interband isolation (dB)	≥ 25
交叉极化比轴向Cross polarization ratio axial (dB)	≥ 15
交叉极化比 $\pm 15^\circ$ Cross polarization ratio $\pm 15^\circ$ (dB)	≥ 10
三阶互调Intermodulation IM3 (2×37 dBm)	≤ -97
平均功率容量Average power capacity (W)	≥ 150
端口阻抗Impedance (Ω)	50
接口方式Connector type	2*N型接头

机械性能指标 Mechanical Properties

引线长度(外罩端面量取) Lead Length	≥ 200 mm
天线尺寸Antenna dimensions (H x W x D) (mm)	$\leq 365 \times 345 \times 125$
天线重量Antenna weight (kg)	≤ 4
机械调整范围Range of mechanical adjustment ($^\circ$)	± 45
反射板厚度Thickness of reflector	≥ 2.5 mm
工作温度working temperature ($^\circ$)	$-55 \sim +75$
承载风速wind speed (m/s)	55
天线罩材料Radome material	耐候PP
安装方式Installation mode	挂墙安装



SL16652W

3.5G宽频2端口矩形波束射灯天线

3.5G broadband 2-port rectangular beam spotlight antenna



频段Frequency range (MHz) : 3400-3600

增益Gain : $\geq 13\text{dBi}$

水平波瓣宽度Horizontal Beam width : 35°

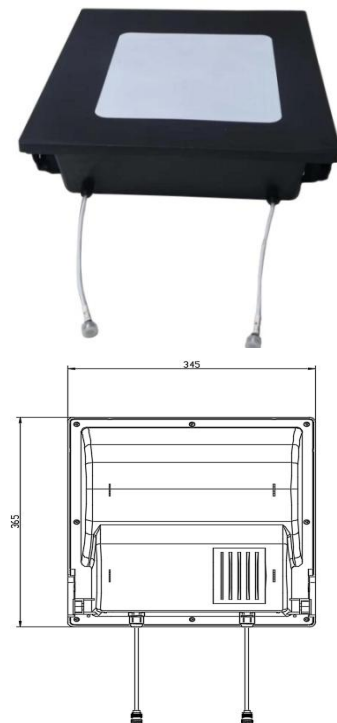
垂直波瓣宽度Vertical 3 dB beam width : 35°

电性能指标 Electrical Properties

频率范围Frequency range (MHz)	3400-3600
极化方式Polarization	$\pm 45^\circ$
增益Gain (dBi)	≥ 13
水平波瓣宽度Horizontal Beam width ($^\circ$)	35 ± 10
垂直波瓣宽度Vertical Beam Width ($^\circ$)	35 ± 10
电压驻波比VSWR	≤ 1.4
前后辐射比Front to back ratio (dB)	≥ 23
隔离度Interband isolation (dB)	≥ 25
交叉极化比轴向Cross polarization ratio axial (dB)	≥ 15
交叉极化比 $\pm 15^\circ$ Cross polarization ratio $\pm 15^\circ$ (dB)	≥ 10
三阶互调Intermodulation IM3 (2 \times 37dBm)	≤ -97
平均功率容量Average power capacity (W)	≥ 150
端口阻抗Impedance (Ω)	50
接口方式Connector type	2*N型接头

机械性能指标 Mechanical Properties

引线长度(外罩端面量取) Lead Length	$\geq 200\text{mm}$
天线尺寸Antenna dimensions (H x W x D) (mm)	$\leq 365 \times 345 \times 125$
天线重量Antenna weight (kg)	≤ 4
机械调整范围Range of mechanical adjustment ($^\circ$)	± 45
反射板厚度Thickness of reflector	$\geq 2.5\text{mm}$
工作温度working temperature ($^\circ$)	$-55 \sim +75$
承载风速wind speed (m/s)	55
天线罩材料Radome material	耐候PP
安装方式Installation mode	挂墙安装



SL15707E

双极化垂直面大张角射灯天线

Double polarized vertical plane large angle spotlight antenna



频率Frequency range (MHz) : 806-960/1710-2700/3300-3700 增益Gain : $\geq 10/\geq 13/\geq 13$ dBi

水平面波瓣宽度Horizontal Beam width : 20-35 °/15-35 °

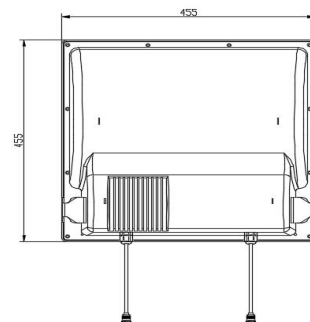
垂直面波瓣宽度Vertical 3 dB beam width : ≥ 60 °

电性能指标 Electrical Properties

频率范围Frequency range (MHz)	806-960	1710-2170	2300-2700	3300-3700
增益Gain (dBi)	≥ 10	≥ 12	≥ 13	≥ 13
极化方式Polarization	± 45			
3dB波瓣宽度 3dB lobe width	E面E-Plane (°)	≥ 60		
	H面H-Plane (°)	[20,35]	[20,35]	[15,35]
前后比Front to back ratio (dB)	≥ 20	≥ 23	≥ 23	≥ 23
水平面 3dB 波宽交叉极化比Horizontal 3dB wave width cross polarization ratio (dB)	≥ 10			
垂直面 3dB 波宽交叉极化比3dB wave width cross polarization ratio in vertical plane (dB)	≥ 10			
电压驻波比VSWR	≤ 1.5			
隔离度Isolation (dB)	≥ 23			
三阶互调Intermodulation IM3 (2×43dBm)	≤ -90			
五阶互调Intermodulation IM5 (2×43dBm)	≤ -105			
平均功率容量Average power capacity	≥ 100 W			
输入阻抗Input impedance	50Ω			
雷电保护Lightning Protection	直流感地DC ground			

机械性能指标 Mechanical Properties

尺寸 (长 x宽x 高) Size(mm)	$\leq 455*455*200$ mm
净重Weight (kg)	≤ 4
接头类型Joint type	2*N-K
天线罩材料Radome material	耐候PP Weatherproof PP
面板材料Panel material	耐候PP Weatherproof PP



SL15707F

双极化水平面大张角射灯天线

Double polarized horizontal plane large angle spotlight antenna



频率Frequency range (MHz) : 806-960/1710-2700/3300-3700 增益Gain : $\geq 10/\geq 13/\geq 13$ dBi

水平面波瓣宽度Horizontal Beam width : $\geq 60^\circ$

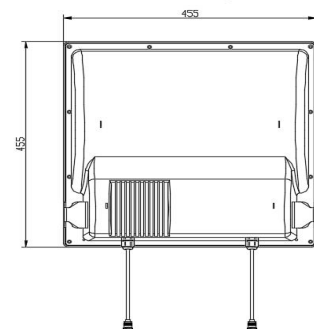
垂直面波瓣宽度Vertical 3 dB beam width : $20-35^\circ/15-35^\circ$

电性能指标 Electrical Properties

频率范围Frequency range (MHz)	806-960	1710-2170	2300-2700	3300-3700
增益Gain (dBi)	≥ 10	≥ 12	≥ 13	≥ 13
极化方式Polarization	± 45			
3dB波瓣宽度 3dB lobe width	H面E-Plane ($^\circ$)	≥ 60		
	E面H-Plane ($^\circ$)	[20,35]	[20,35]	[15,35]
前后比Front to back ratio (dB)	≥ 20	≥ 23	≥ 23	≥ 23
水平面 3dB 波宽交叉极化比Horizontal 3dB wave width cross polarization ratio (dB)	≥ 10			
垂直面 3dB 波宽交叉极化比3dB wave width cross polarization ratio in vertical plane (dB)	≥ 10			
电压驻波比VSWR	≤ 1.5			
隔离度Isolation (dB)	≥ 23			
三阶互调Intermodulation IM3 (2×43 dBm)	≤ -90			
五阶互调Intermodulation IM5 (2×43 dBm)	≤ -105			
平均功率容量Average power capacity	≥ 100 W			
输入阻抗Input impedance	50 Ω			
雷电保护Lightning Protection	直流接地DC ground			

机械性能指标 Mechanical Properties

尺寸 (长 x宽x 高) Size(mm)	$\leq 455 \times 455 \times 200$ mm
净重Weight (kg)	≤ 4
接头类型Joint type	2*N-K
天线罩材料Radome material	耐候PP Weatherproof PP
面板材料Panel material	耐候PP Weatherproof PP



SL15676B

高楼900-D全频二口水平面大张角天线

High rise 900-D full frequency two port horizontal large angle antenna



频率Frequency range (MHz) : 885-960/1710-2675 增益Gain : $\geq 7.5\text{dBi}/12.5\text{dBi}$

水平波瓣宽度Horizontal Beam width : 65°

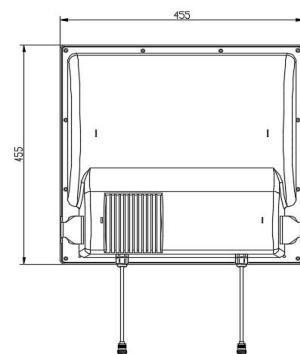
垂直面波瓣宽度Vertical 3 dB beam width : $\geq 55^\circ/15-35^\circ$

电性能指标 Electrical Properties

频率范围Frequency range (MHz)	885-960	1710-1830	1885-2025	2320-2675
增益Gain (dBi)	≥ 7.5	≥ 11.5	≥ 12.5	≥ 12.5
垂直面波瓣宽度Vertical Beam Width (3dB)($^\circ$)	≥ 55	20-35	20-35	15-35
水平面波瓣宽度Horizontal Beam width (3dB)($^\circ$)	≥ 65			
极化方式Polarization	$\pm 45^\circ$			
电压驻波比VSWR	≤ 1.5			
垂直面3dB波瓣交叉极化比3dB wave width cross polarization ratio in vertical plane (dB)	≥ 10			
水平面3dB波瓣交叉极化比Horizontal 3dB wave width cross polarization ratio (dB)	≥ 10			
端口隔离度Interband isolation (dB)	≥ 25			
前后辐射比Front to back ratio, $\pm 30^\circ$ (dB)	≥ 21		≥ 23	
平均功率容量Max. effective power per port (W)	≥ 50			
三阶交调 (@2*37dBm) Intermodulation IM3 (dBc)	$\leq -107\text{dBm}$ (@900M/1800M)			
二阶交调PIMD 2th (@2*37dBm)	$\leq -107\text{dBm}$ (@900M)			
端口阻抗Impedance (Ω)	50			

机械性能指标 Mechanical Properties

天线尺寸Antenna dimensions (H x W x D) (mm)	455x455x130
天线重量Antenna weight (kg)	3.28
天线罩材质Radome material	户外PP
工作温度Operational temperature ($^\circ\text{C}$)	-40 ~ +70
接口形式Connector type	2xN-Female
安装架重量Weight of Mounting Kits (kg)	0.87
承载风速wind speed (m/s)	55
机械调整范围Range of mechanical adjustment ($^\circ$)	上仰0-30 ; 下倾0-70
安装方式Installation mode	挂墙安装



SL15676G

高楼900-D全频二口垂直面大张角天线

High rise 900-D full frequency two port vertical large angle antenna



频率Frequency range (MHz) : 885-960/1710-2675

增益Gain : $\geq 10\text{dBi}/12.5\text{dBi}$

水平波瓣宽度Horizontal Beam width : 20-35°

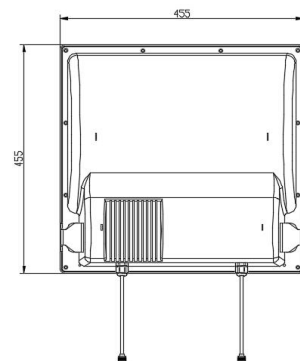
垂直面波瓣宽度Vertical 3 dB beam width : $\geq 60^\circ$

电性能指标 Electrical Properties

电性能指标 Electrical Properties				
频率范围Frequency range (MHz)	885-960	1710-1830	1885-2025	2320-2675
增益Gain (dBi)	≥ 10	≥ 11.5	≥ 12.5	≥ 12.5
水平面波瓣宽度Horizontal Beam width (3dB)(°)	20-35	20-35	20-35	20-35
垂直面波瓣宽度Vertical Beam Width (3dB)(°)	≥ 60			
极化方式Polarization	$\pm 45^\circ$			
电压驻波比VSWR	≤ 1.5			
垂直面3dB波瓣交叉极化比3dB wave width cross polarization ratio in vertical plane (dB)	≥ 10			
水平面3dB波瓣交叉极化比3dB wave width cross polarization ratio in vertical plane (dB)	≥ 10			
端口隔离度Interband isolation (dB)	≥ 25			
前后辐射比Front to back ratio, $\pm 30^\circ$ (dB)	≥ 23			
平均功率容量Max. effective power per port (W)	≥ 50			
三阶交调 (@2*37dBm) Intermodulation IM3 (dBc)	$\leq -107\text{dBm}$ (@900M/1800M)			
二阶交调PIMD 2th (@2*37dBm)	$\leq -107\text{dBm}$ (@900M)			
端口阻抗Impedance (Ω)	50			

机械性能指标 Mechanical Properties

机械性能指标 Mechanical Properties	
天线尺寸Antenna dimensions (H x W x D) (mm)	455×455×130
天线重量Antenna weight (kg)	3.85
天线罩材质Radome material	户外PP
工作温度Operational temperature (°C)	-40 ~ +70
接口形式Connector type	2×N-Female
安装架重量Weight of Mounting Kits (kg)	0.87
承载风速wind speed (m/s)	55
机械调整范围Range of mechanical adjustment (°)	上仰0-30 ; 下倾0-70
安装方式Installation mode	挂墙安装



SL15675A

高楼1800-D宽频垂直面大张角天线

High rise 1800-D broadband vertical plane large angle antenna



频率Frequency range (MHz) : 1710-2675

增益Gain : ≥ 13 dBi

水平波瓣宽度Horizontal Beam width : 15-35°

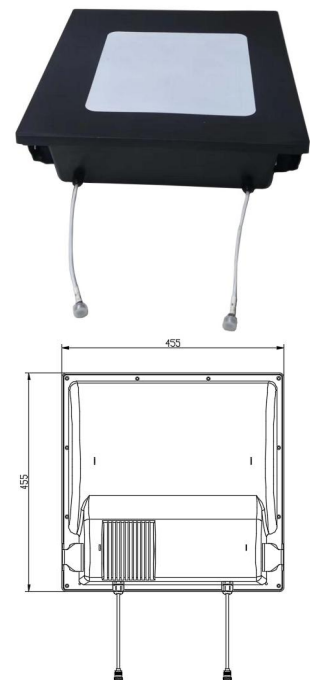
垂直面波瓣宽度Vertical 3 dB beam width : $\geq 60^\circ$

电性能指标 Electrical Properties

频率范围Frequency range (MHz)	1710-1830	1885-2025	2320-2675
增益Gain (dBi)	≥ 12	≥ 13	≥ 13
水平面波瓣宽度Horizontal Beam width (3dB)(°)	20-35	20-35	15-35
垂直面波瓣宽度Vertical Beam Width (3dB)(°)	≥ 60		
极化方式Polarization	$\pm 45^\circ$		
电压驻波比VSWR	≤ 1.5		
垂直面3dB波瓣交叉极化比3dB wave width cross polarization ratio in vertical plane (dB)	≥ 10		
水平面3dB波瓣交叉极化比Horizontal 3dB wave width cross polarization ratio (dB)	≥ 10		
端口隔离度Interband isolation (dB)	≥ 25		
前后辐射比Front to back ratio, $\pm 30^\circ$ (dB)	≥ 23		
平均功率容量Max. effective power per port (W)	≥ 50		
三阶交调 (@2*37dBm) Intermodulation IM3 (dBc)	≤ -107 dBm (@1800M)		
二阶交调PIMD 2th (@2*37dBm)	/		
端口阻抗Impedance (Ω)	50		

机械性能指标 Mechanical Properties

天线尺寸Antenna dimensions (H x W x D) (mm)	430×425×130
天线重量Antenna weight (kg)	2.52
天线罩材质Radome material	户外PP
工作温度Operational temperature (°C)	-40 ~ +70
接口形式Connector type	2×N-Female
安装架重量Weight of Mounting Kits (kg)	0.81
承载风速wind speed (m/s)	55
机械调整范围Range of mechanical adjustment (°)	上仰0-30 ; 下倾0-70
安装方式Installation mode	挂墙安装



SL15675B

高楼1800-D宽频水平面大张角天线

High building 1800-D broadband horizontal plane large angle antenna



频率Frequency range (MHz) : 1710-2675

增益Gain : ≥ 13 dBi

水平波瓣宽度Horizontal Beam width : 60°

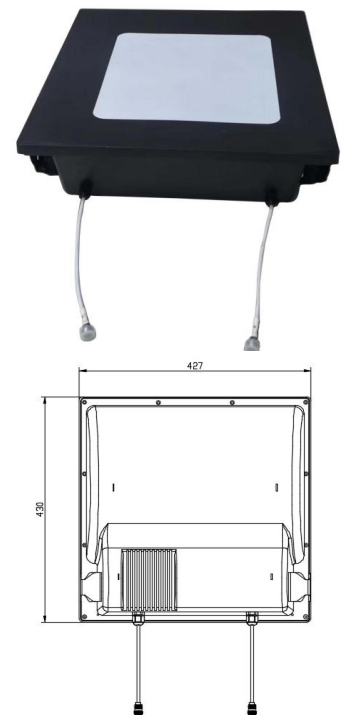
垂直面波瓣宽度Vertical 3 dB beam width : $15-35^\circ$

电性能指标 Electrical Properties

频率范围Frequency range (MHz)	1710-1830	1885-2025	2320-2675
增益Gain (dBi)	≥ 12	≥ 13	≥ 13
垂直面波瓣宽度Vertical Beam Width (3dB)($^\circ$)	20-35	20-35	15-35
水平面波瓣宽度Horizontal Beam width (3dB)($^\circ$)	≥ 60		
极化方式Polarization	$\pm 45^\circ$		
电压驻波比VSWR	≤ 1.5		
垂直面3dB波瓣交叉极化比3dB wave width cross polarization ratio in vertical plane (dB)	≥ 10		
水平面3dB波瓣交叉极化比Horizontal 3dB wave width cross polarization ratio (dB)	≥ 10		
端口隔离度Interband isolation (dB)	≥ 25		
前后辐射比Front to back ratio, $\pm 30^\circ$ (dB)	≥ 23		
平均功率容量Max. effective power per port (W)	≥ 50		
三阶交调 (@2*37dBm) Intermodulation IM3 (dBc)	≤ -107 dBm (@1800M)		
二阶交调PIMD 2th (@2*37dBm)	/		
端口阻抗Impedance (Ω)	50		

机械性能指标 Mechanical Properties

天线尺寸Antenna dimensions (H x W x D) (mm)	430x427x130
天线重量Antenna weight (kg)	2.52
天线罩材质Radome material	户外PP
工作温度Operational temperature ($^\circ$ C)	-40 ~ +70
接口形式Connector type	2xN-Female
安装架重量Weight of Mounting Kits (kg)	0.81
承载风速wind speed (m/s)	55
机械调整范围Range of mechanical adjustment ($^\circ$)	上仰0-30 ; 下倾0-70
安装方式Installation mode	挂墙安装



SL12592A

室外分布系统1800-D宽频天线 (9dBi) 射灯型
Outdoor distribution system 1800-D broadband antenna (9dBi) spotlight type



频率Frequency range (MHz) : 1710-2675

增益Gain : $\geq 9\text{dBi}$

水平波瓣宽度Horizontal Beam width : 65°

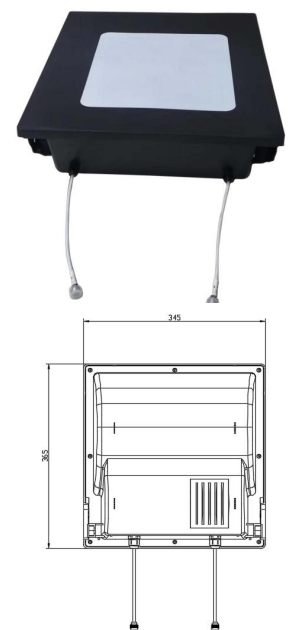
垂直面波瓣宽度Vertical 3 dB beam width : $\geq 50^\circ$

电性能指标 Electrical Properties

频率范围Frequency range (MHz)	1710-1830	1885-2370	2515-2675
增益Gain (dBi)	≥ 8	≥ 8.5	≥ 9
垂直面波瓣宽度Vertical Beam Width (3dB)($^\circ$)	≥ 50		
水平面波瓣宽度Horizontal Beam width (3dB)($^\circ$)	65 ± 5		
极化方式Polarization	$\pm 45^\circ$		
电压驻波比VSWR	≤ 1.5		
交叉极化比Cross polarization ratio (dB)	≥ 15		
交叉极化比(dB, $\pm 60^\circ$ 范围内) Cross polarization ratio (dB, within $\pm 60^\circ$)	≥ 8		
端口隔离度Interband isolation (dB)	≥ 25		
前后辐射比Front to back ratio, $\pm 30^\circ$ (dB)	≥ 21		
平均功率容量Max. effective power per port (W)	≥ 200		
三阶交调 (@ $2 \times 37\text{dBm}$) Intermodulation IM3 (dBc)	$\leq -107\text{dBm}$		
波束 ± 60 边缘功率下降Beam ± 60 edge power reduction (dB)	12 ± 3		
端口阻抗Impedance (Ω)	50		

机械性能指标 Mechanical Properties

天线尺寸Antenna dimensions (H x W x D) (mm)	365 \times 345 \times 126
天线重量Antenna weight (kg)	1.54
天线罩材质Radome material	户外PP
工作温度Operational temperature ($^\circ\text{C}$)	-40 ~ +70
接口形式Connector type	2 \times N-Female
安装架重量Weight of Mounting Kits (kg)	0.5
承载风速wind speed (m/s)	55
机械调整范围Range of mechanical adjustment ($^\circ$)	上仰0-30 ; 下倾0-70
安装方式Installation mode	挂墙安装



SL12592B

室外分布系统1800-D宽频天线 (12dBi) 射灯型
Outdoor distribution system 1800-D broadband antenna (12dBi) spotlight type



频率Frequency range (MHz) : 1710-2675

增益Gain : $\geq 12\text{dBi}$

水平波瓣宽度Horizontal Beam width : 65°

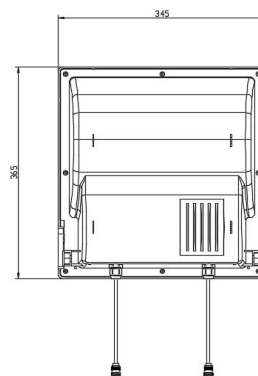
垂直面波瓣宽度Vertical 3 dB beam width : $\geq 30^\circ$

电性能指标 Electrical Properties

电性能指标 Electrical Properties	1710-1830	1885-2025	2320-2370	2515-2675
频率范围Frequency range (MHz)	1710-1830	1885-2025	2320-2370	2515-2675
增益Gain (dBi)	≥ 11	≥ 11.5	≥ 11.5	≥ 12
垂直面波瓣宽度Vertical Beam Width (3dB)($^\circ$)	≥ 30	≥ 30	≥ 28	≥ 26
水平面波瓣宽度Horizontal Beam width (3dB)($^\circ$)	65 \pm 5			
极化方式Polarization	$\pm 45^\circ$			
电压驻波比VSWR	≤ 1.5			
交叉极化比Cross polarization ratio(dB)	≥ 15			
交叉极化比(dB, $\pm 60^\circ$ 范围内) Cross polarization ratio (dB, within $\pm 60^\circ$)	≥ 8			
端口隔离度Interband isolation (dB)	≥ 25			
前后辐射比Front to back ratio, $\pm 30^\circ$ (dB)	≥ 21			
平均功率容量Max. effective power per port (W)	≥ 200			
三阶交调 (@2*37dBm) Intermodulation IM3 (dBc)	$\leq -107\text{dBm}$			
波束 ± 60 边缘功率下降Beam ± 60 edge power reduction (dB)	12 \pm 3			
端口阻抗Impedance (Ω)	50			

机械性能指标 Mechanical Properties

天线尺寸Antenna dimensions (H x W x D) (mm)	365 \times 346 \times 126
天线重量Antenna weight (kg)	1.63
天线罩材质Radome material	户外PP
工作温度Operational temperature ($^\circ\text{C}$)	-40 ~ +70
接口形式Connector type	2 \times N-Female
安装架重量Weight of Mounting Kits (kg)	0.5
承载风速wind speed (m/s)	55
机械调整范围Range of mechanical adjustment ($^\circ$)	上仰0-30 ; 下倾0-70
安装方式Installation mode	挂墙安装



SL12591B

室外分布系统900-D双口宽频天线射灯型

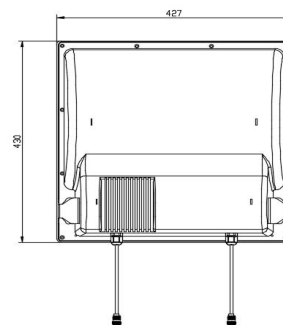
Outdoor distribution system 900-D dual port
broadband antenna spotlight type频率Frequency range (MHz) : 885-960/1710-2675 增益Gain : $\geq 7.5\text{dBi}/\geq 8.5\text{dBi}$ 水平波瓣宽度Horizontal Beam width : 65° 垂直面波瓣宽度Vertical 3 dB beam width : $\geq 50^\circ$

电性能指标 Electrical Properties

频率范围Frequency range (MHz)	885-960	1710-1830	1885-2370	2515-2675
增益Gain (dBi)	≥ 7.5	≥ 7.5	≥ 8	≥ 8.5
垂直面波瓣宽度Vertical Beam Width (3dB)($^\circ$)	≥ 50			
水平面波瓣宽度Horizontal Beam width (3dB)($^\circ$)	65 ± 5			
极化方式Polarization	$\pm 45^\circ$			
电压驻波比VSWR	≤ 1.5			
交叉极化比Cross polarization ratio (dB)	≥ 15			
交叉极化比(dB, $\pm 60^\circ$ 范围内) Cross polarization ratio (dB, within $\pm 60^\circ$)	≥ 8			
端口隔离度Interband isolation (dB)	≥ 25			
前后辐射比Front to back ratio, $\pm 30^\circ$ (dB)	≥ 20		≥ 22	
平均功率容量Max. effective power per port (W)	≥ 200			
三阶交调 (@ $2 \times 37\text{dBm}$) Intermodulation IM3 (dBc)	$\leq -107\text{dBm}$			
二阶反射交调 (@ $2 \times 37\text{dBm}$)	$\leq -107\text{dBm}$			
端口阻抗Impedance (Ω)	50			
波束 ± 60 边缘功率下降Beam ± 60 edge power reduction (dB)	12 ± 3			

机械性能指标 Mechanical Properties

天线尺寸Antenna dimensions (H x W x D) (mm)	430 \times 427 \times 130
天线重量Antenna weight (kg)	2.72
天线罩材质Radome material	户外PP
工作温度Operational temperature ($^\circ\text{C}$)	-40 ~ +70
接口形式Connector type	2 \times N-Female
安装架重量Weight of Mounting Kits (kg)	0.81
承载风速wind speed (m/s)	55
机械调整范围Range of mechanical adjustment ($^\circ$)	上仰0-30 ; 下倾0-70
安装方式Installation mode	挂墙安装



SL16652D

800M单频4端口垂直大张角射灯天线

800M single frequency 4-port vertical large angle spotlight antenna



频段Frequency range (MHz) : 820-960

增益Gain : ≥ 10 dBi

水平波瓣宽度Horizontal Beam width : 35°

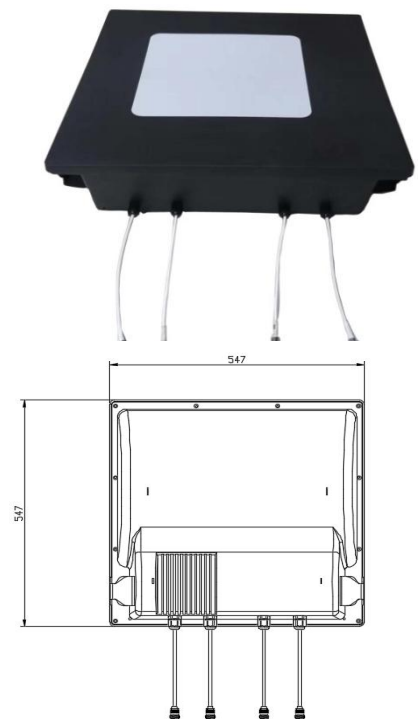
垂直波瓣宽度Vertical 3 dB beam width : 60°

电性能指标 Electrical Properties

频率范围Frequency range (MHz)	820-960
极化方式Polarization	$\pm 45^\circ$
增益Gain (dBi)	≥ 10
水平波瓣宽度Horizontal Beam width (°)	35 \pm 10
垂直波瓣宽度Vertical Beam Width (°)	60 \pm 10
电压驻波比VSWR	≤ 1.4
前后辐射比Front to back ratio (dB)	≥ 23
隔离度Interband isolation (dB)	≥ 25
交叉极化比轴向Cross polarization ratio axial (dB)	≥ 15
交叉极化比 $\pm 15^\circ$ Cross polarization ratio $\pm 15^\circ$ (dB)	≥ 10
三阶互调Intermodulation IM3 (2 \times 37dBm)	≤ -97
平均功率容量Average power capacity (W)	≥ 150
端口阻抗Impedance (Ω)	50
接口方式Connector type	4*N型接头

机械性能指标 Mechanical Properties

引线长度(外罩端面量取) Lead Length	≥ 200 mm
天线尺寸Antenna dimensions (H x W x D) (mm)	$\leq 547 \times 547 \times 190$
天线重量Antenna weight (kg)	≤ 8
机械调整范围Range of mechanical adjustment (°)	± 45
反射板厚度Thickness of reflector	≥ 2.5 mm
工作温度working temperature (°)	-55 ~ +75
承载风速wind speed (m/s)	55
天线罩材料Radome material	耐候PP
安装方式Installation mode	挂墙安装



SL16652E

800M单频4端口矩形波束射灯天线

800M single frequency 4-port rectangular beam spotlight antenna



频段Frequency range (MHz) : 820-960

增益Gain : ≥ 13 dBi

水平波瓣宽度Horizontal Beam width : 35°

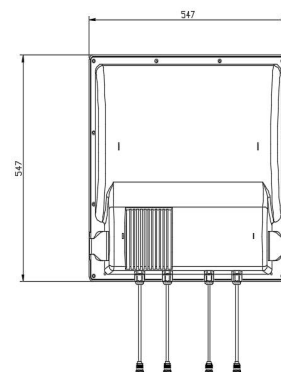
垂直波瓣宽度Vertical 3 dB beam width : 35°

电性能指标 Electrical Properties

频率范围Frequency range (MHz)	820-960
极化方式Polarization	$\pm 45^\circ$
增益Gain (dBi)	≥ 13
水平波瓣宽度Horizontal Beam width ($^\circ$)	35 ± 10
垂直波瓣宽度Vertical Beam Width ($^\circ$)	35 ± 10
电压驻波比VSWR	≤ 1.4
前后辐射比Front to back ratio (dB)	≥ 23
隔离度Interband isolation (dB)	≥ 25
交叉极化比轴向Cross polarization ratio axial (dB)	≥ 15
交叉极化比 $\pm 15^\circ$ Cross polarization ratio $\pm 15^\circ$ (dB)	≥ 10
三阶互调Intermodulation IM3 (2 \times 37dBm)	≤ -97
平均功率容量Average power capacity (W)	≥ 150
端口阻抗Impedance (Ω)	50
接口方式Connector type	4*N型接头

机械性能指标 Mechanical Properties

引线长度(外罩端面量取) Lead Length	≥ 200 mm
天线尺寸Antenna dimensions (H x W x D) (mm)	$\leq 547 \times 547 \times 190$
天线重量Antenna weight (kg)	≤ 8
机械调整范围Range of mechanical adjustment ($^\circ$)	± 45
反射板厚度Thickness of reflector	≥ 2.5 mm
工作温度working temperature ($^\circ$)	-55 ~ +75
承载风速wind speed (m/s)	55
天线罩材料Radome material	耐候PP
安装方式Installation mode	挂墙安装



帮助客户成功，成就无限沟通

SL16652J

2G宽频4端口垂直大张角射灯天线

2G broadband 4-port vertical large angle spotlight antenna



频段Frequency range (MHz) : 1710-2170

增益Gain : ≥ 10 dBi

水平波瓣宽度Horizontal Beam width : 35°

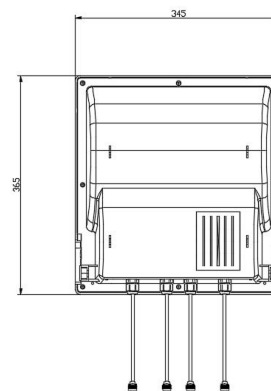
垂直波瓣宽度Vertical 3 dB beam width : 60°

电性能指标 Electrical Properties

频率范围Frequency range (MHz)	1710-2170
极化方式Polarization	$\pm 45^\circ$
增益Gain (dBi)	≥ 10
水平波瓣宽度Horizontal Beam width ($^\circ$)	35 ± 10
垂直波瓣宽度Vertical Beam Width ($^\circ$)	60 ± 10
电压驻波比VSWR	≤ 1.4
前后辐射比Front to back ratio (dB)	≥ 23
隔离度Interband isolation (dB)	≥ 25
交叉极化比轴向Cross polarization ratio axial (dB)	≥ 15
交叉极化比 $\pm 15^\circ$ Cross polarization ratio $\pm 15^\circ$ (dB)	≥ 10
三阶互调Intermodulation IM3 (2×37 dBm)	≤ -97
平均功率容量Average power capacity (W)	≥ 150
端口阻抗Impedance (Ω)	50
接口方式Connector type	4*N型接头

机械性能指标 Mechanical Properties

引线长度(外罩端面量取) Lead Length	≥ 200 mm
天线尺寸Antenna dimensions (H x W x D) (mm)	$\leq 365 \times 345 \times 125$
天线重量Antenna weight (kg)	≤ 4
机械调整范围Range of mechanical adjustment ($^\circ$)	± 45
反射板厚度Thickness of reflector	≥ 2.5 mm
工作温度working temperature ($^\circ$)	$-55 \sim +75$
承载风速wind speed (m/s)	55
天线罩材料Radome material	耐候PP
安装方式Installation mode	挂墙安装



SL16652K

2G宽频4端口垂直大张角射灯天线

2G broadband 4-port vertical large angle spotlight antenna



频段Frequency range (MHz) : 1710-2170

增益Gain : ≥ 13 dBi

水平波瓣宽度Horizontal Beam width : 25°

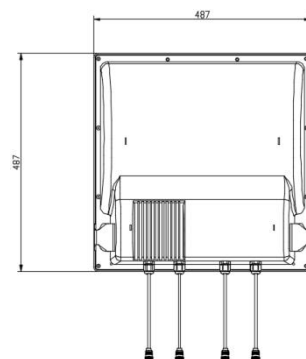
垂直波瓣宽度Vertical 3 dB beam width : 65°

电性能指标 Electrical Properties

频率范围Frequency range (MHz)	1710-2170
极化方式Polarization	$\pm 45^\circ$
增益Gain (dBi)	≥ 13
水平波瓣宽度Horizontal Beam width (°)	25 \pm 10
垂直波瓣宽度Vertical Beam Width (°)	65 \pm 10
电压驻波比VSWR	≤ 1.4
前后辐射比Front to back ratio (dB)	≥ 23
隔离度Interband isolation (dB)	≥ 25
交叉极化比轴向Cross polarization ratio axial (dB)	≥ 15
交叉极化比 $\pm 15^\circ$ Cross polarization ratio $\pm 15^\circ$ (dB)	≥ 10
三阶互调Intermodulation IM3 (2 \times 37dBm)	≤ -97
平均功率容量Average power capacity (W)	≥ 150
端口阻抗Impedance (Ω)	50
接口方式Connector type	4*N型接头

机械性能指标 Mechanical Properties

引线长度(外罩端面量取) Lead Length	≥ 200 mm
天线尺寸Antenna dimensions (H x W x D) (mm)	$\leq 487 \times 487 \times 145$
天线重量Antenna weight (kg)	≤ 6
机械调整范围Range of mechanical adjustment (°)	± 45
反射板厚度Thickness of reflector	≥ 2.5 mm
工作温度working temperature (°)	-55 ~ +75
承载风速wind speed (m/s)	55
天线罩材料Radome material	耐候PP
安装方式Installation mode	挂墙安装



SL16652P

800M/2G宽频2+2端口水平大张角射灯天线

800M/2G broadband 2+2 port horizontal large angle spotlight antenna



频段Frequency range (MHz) : 820-960/1710-2170 增益Gain : $\geq 9.5\text{dBi}/12.5\text{dBi}$

水平波瓣宽度Horizontal Beam width : $60^\circ/65^\circ$

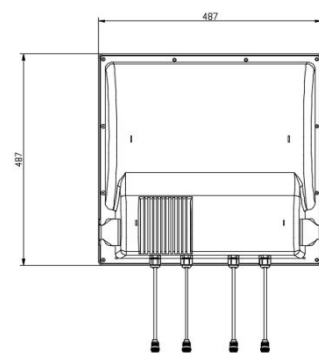
垂直波瓣宽度Vertical 3 dB beam width : $35^\circ/25^\circ$

电性能指标 Electrical Properties

频率范围Frequency range (MHz)	820-960	1710-2170
极化方式Polarization	$\pm 45^\circ$	$\pm 45^\circ$
增益Gain (dBi)	≥ 9.5	≥ 12.5
水平波瓣宽度Horizontal Beam width ($^\circ$)	60 ± 10	65 ± 10
垂直波瓣宽度Vertical Beam Width ($^\circ$)	35 ± 10	25 ± 10
电压驻波比VSWR	≤ 1.4	
前后辐射比Front to back ratio (dB)	≥ 23	
隔离度Interband isolation (dB)	≥ 25	
交叉极化比轴向Cross polarization ratio axial (dB)	≥ 15	
交叉极化比 $\pm 15^\circ$ Cross polarization ratio $\pm 15^\circ$ (dB)	≥ 10	
三阶互调Intermodulation IM3 ($2 \times 37\text{dBm}$)	≤ -97	
平均功率容量Average power capacity (W)	≥ 150	
端口阻抗Impedance (Ω)	50	
接口方式Connector type	4*N型接头	

机械性能指标 Mechanical Properties

引线长度(外罩端面量取) Lead Length	$\geq 200\text{mm}$
天线尺寸Antenna dimensions (H x W x D (mm))	$\leq 487 \times 487 \times 145$
天线重量Antenna weight (kg)	≤ 6
机械调整范围Range of mechanical adjustment ($^\circ$)	± 45
反射板厚度Thickness of reflector	$\geq 2.5\text{mm}$
工作温度working temperature ($^\circ$)	$-55 \sim +75$
承载风速wind speed (m/s)	55
天线罩材料Radome material	耐候PP
安装方式Installation mode	挂墙安装



SL16652Q

800M/2G宽频2+2端口垂直大张角射灯天线

800M/2G broadband 2+2 port vertical large angle spotlight antenna



频段Frequency range (MHz) : 820-960/1710-2170 增益Gain : $\geq 9.5\text{dBi}/12.5\text{dBi}$

水平波瓣宽度Horizontal Beam width : $35^\circ/25^\circ$

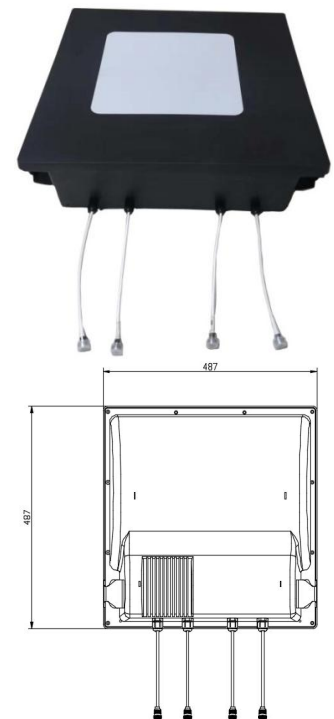
垂直波瓣宽度Vertical 3 dB beam width : $60^\circ/65^\circ$

电性能指标 Electrical Properties

频率范围Frequency range (MHz)	820-960	1710-2170
极化方式Polarization	$\pm 45^\circ$	$\pm 45^\circ$
增益Gain (dBi)	≥ 9.5	≥ 12.5
水平波瓣宽度Horizontal Beam width ($^\circ$)	35 ± 10	25 ± 10
垂直波瓣宽度Vertical Beam Width ($^\circ$)	60 ± 10	65 ± 10
电压驻波比VSWR	≤ 1.4	
前后辐射比Front to back ratio (dB)	≥ 23	
隔离度Interband isolation (dB)	≥ 25	
交叉极化比轴向Cross polarization ratio axial (dB)	≥ 15	
交叉极化比 $\pm 15^\circ$ Cross polarization ratio $\pm 15^\circ$ (dB)	≥ 10	
三阶互调Intermodulation IM3 ($2 \times 37\text{dBm}$)	≤ -97	
平均功率容量Average power capacity (W)	≥ 150	
端口阻抗Impedance (Ω)	50	
接口方式Connector type	4*N型接头	

机械性能指标 Mechanical Properties

引线长度(外罩端面量取) Lead Length	$\geq 200\text{mm}$
天线尺寸Antenna dimensions (H x W x D (mm))	$\leq 487 \times 487 \times 145$
天线重量Antenna weight (kg)	≤ 6
机械调整范围Range of mechanical adjustment ($^\circ$)	± 45
反射板厚度Thickness of reflector	$\geq 2.5\text{mm}$
工作温度working temperature ($^\circ$)	$-55 \sim +75$
承载风速wind speed (m/s)	55
天线罩材料Radome material	耐候PP
安装方式Installation mode	挂墙安装



SL16652R

800M/2G宽频2+2端口矩形波束射灯天线

800M/2G broadband 2+2 port rectangular beam spotlight antenna



频段Frequency range (MHz) : 820-960/1710-2170 增益Gain : ≥ 12.5 dBi

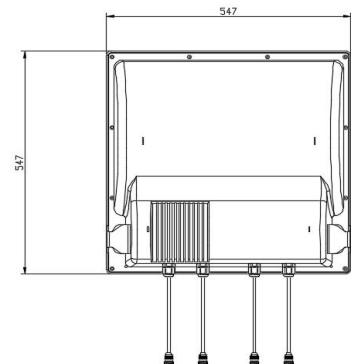
水平波瓣宽度Horizontal Beam width : 35° 垂直波瓣宽度Vertical 3 dB beam width : 35°

电性能指标 Electrical Properties

频率范围Frequency range (MHz)	820-960	1710-2170
极化方式Polarization	$\pm 45^\circ$	
增益Gain (dBi)	≥ 12.5	
水平波瓣宽度Horizontal Beam width (°)	35 \pm 10	
垂直波瓣宽度Vertical Beam Width (°)	35 \pm 10	
电压驻波比VSWR	≤ 1.4	
前后辐射比Front to back ratio (dB)	≥ 23	
隔离度Interband isolation (dB)	≥ 25	
交叉极化比轴向Cross polarization ratio axial (dB)	≥ 15	
交叉极化比 $\pm 15^\circ$ Cross polarization ratio $\pm 15^\circ$ (dB)	≥ 10	
三阶互调Intermodulation IM3 (2 \times 37dBm)	≤ -97	
平均功率容量Average power capacity (W)	≥ 150	
端口阻抗Impedance (Ω)	50	
接口方式Connector type	4*N型接头	

机械性能指标 Mechanical Properties

引线长度(外罩端面量取) Lead Length	≥ 200 mm
天线尺寸Antenna dimension s (H x W x D) (mm)	$\leq 547 \times 547 \times 190$
天线重量Antenna weight (kg)	≤ 8
机械调整范围Range of mechanical adjustment (°)	± 45
反射板厚度Thickness of reflector	≥ 2.5 mm
工作温度working temperature (°)	-55 ~ +75
承载风速wind speed (m/s)	55
天线罩材料Radome material	耐候PP
安装方式Installation mode	挂墙安装



SL16652X

3.5G宽频4端口垂直大张角射灯天线

3.5G broadband 4-port vertical large angle spotlight antenna



频段Frequency range (MHz) : 3400-3600

增益Gain : $\geq 10\text{dBi}$

水平波瓣宽度Horizontal Beam width : 35°

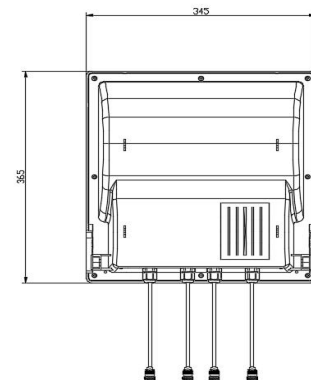
垂直波瓣宽度Vertical 3 dB beam width : 60°

电性能指标 Electrical Properties

频率范围Frequency range (MHz)	3400-3600
极化方式Polarization	$\pm 45^\circ$
增益Gain (dBi)	≥ 10
水平波瓣宽度Horizontal Beam width ($^\circ$)	35 ± 10
垂直波瓣宽度Vertical Beam Width ($^\circ$)	60 ± 10
电压驻波比VSWR	≤ 1.4
前后辐射比Front to back ratio (dB)	≥ 23
隔离度Interband isolation (dB)	≥ 25
交叉极化比轴向Cross polarization ratio axial (dB)	≥ 15
交叉极化比 $\pm 15^\circ$ Cross polarization ratio $\pm 15^\circ$ (dB)	≥ 10
三阶互调Intermodulation IM3 ($2 \times 37\text{dBm}$)	≤ -97
平均功率容量Average power capacity (W)	≥ 150
端口阻抗Impedance (Ω)	50
接口方式Connector type	4*N型接头

机械性能指标 Mechanical Properties

引线长度(外罩端面量取) Lead Length	$\geq 200\text{mm}$
天线尺寸Antenna dimensions (H x W x D) (mm)	$\leq 365 \times 345 \times 125$
天线重量Antenna weight (kg)	≤ 4
机械调整范围Range of mechanical adjustment ($^\circ$)	± 45
反射板厚度Thickness of reflector	$\geq 2.5\text{mm}$
工作温度working temperature ($^\circ$)	$-55 \sim +75$
承载风速wind speed (m/s)	55
天线罩材料Radome material	耐候PP
安装方式Installation mode	挂墙安装



SL16652Y

3.5G宽频4端口垂直大张角射灯天线

3.5G broadband 4-port vertical large angle spotlight antenna



频段Frequency range (MHz) : 3400-3600

增益Gain : ≥ 13 dBi

水平波瓣宽度Horizontal Beam width : 30°

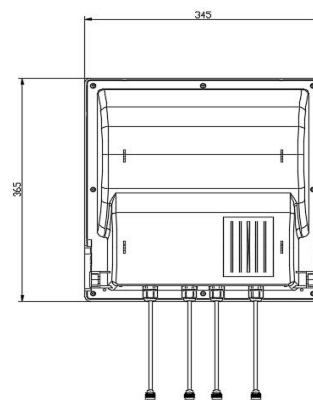
垂直波瓣宽度Vertical 3 dB beam width : 60°

电性能指标 Electrical Properties

频率范围Frequency range (MHz)	3400-3600
极化方式Polarization	$\pm 45^\circ$
增益Gain (dBi)	≥ 13
水平波瓣宽度Horizontal Beam width (°)	30 \pm 10
垂直波瓣宽度Vertical Beam Width (°)	60 \pm 10
电压驻波比VSWR	≤ 1.4
前后辐射比Front to back ratio (dB)	≥ 23
隔离度Interband isolation (dB)	≥ 25
交叉极化比轴向Cross polarization ratio axial (dB)	≥ 15
交叉极化比 $\pm 15^\circ$ Cross polarization ratio $\pm 15^\circ$ (dB)	≥ 10
三阶互调Intermodulation IM3 (2 \times 37dBm)	≤ -97
平均功率容量Average power capacity (W)	≥ 150
端口阻抗Impedance (Ω)	50
接口方式Connector type	4*N型接头

机械性能指标 Mechanical Properties

引线长度(外罩端面量取) Lead Length	≥ 200 mm
天线尺寸Antenna dimensions (H x W x D) (mm)	$\leq 365 \times 345 \times 125$
天线重量Antenna weight (kg)	≤ 4
机械调整范围Range of mechanical adjustment (°)	± 45
反射板厚度Thickness of reflector	≥ 2.5 mm
工作温度working temperature (°)	-55 ~ +75
承载风速wind speed (m/s)	55
天线罩材料Radome material	耐候PP
安装方式Installation mode	挂墙安装



SL16652Z

3.5G宽频4端口矩形波束射灯天线

3.5G broadband 4-port rectangular beam spotlight antenna



频段Frequency range (MHz) : 3400-3600

增益Gain : ≥ 13 dBi

水平波瓣宽度Horizontal Beam width : 35°

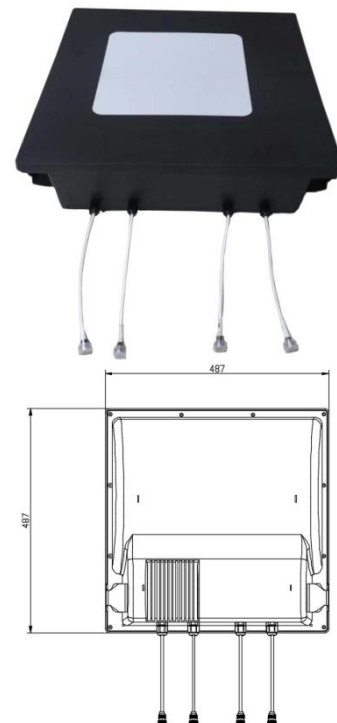
垂直波瓣宽度Vertical 3 dB beam width : 35°

电性能指标 Electrical Properties

频率范围Frequency range (MHz)	3400-3600
极化方式Polarization	$\pm 45^\circ$
增益Gain (dBi)	≥ 13
水平波瓣宽度Horizontal Beam width (°)	35 ± 10
垂直波瓣宽度Vertical Beam Width (°)	35 ± 10
电压驻波比VSWR	≤ 1.4
前后辐射比Front to back ratio (dB)	≥ 23
隔离度Interband isolation (dB)	≥ 25
交叉极化比轴向Cross polarization ratio axial (dB)	≥ 15
交叉极化比 $\pm 15^\circ$ Cross polarization ratio $\pm 15^\circ$ (dB)	≥ 10
三阶互调Intermodulation IM3 (2 \times 37dBm)	≤ -97
平均功率容量Average power capacity (W)	≥ 150
端口阻抗Impedance (Ω)	50
接口方式Connector type	4*N型接头

机械性能指标 Mechanical Properties

引线长度(外罩端面量取) Lead Length	≥ 200 mm
天线尺寸Antenna dimensions (H x W x D) (mm)	$\leq 365 \times 345 \times 125$
天线重量Antenna weight (kg)	≤ 4
机械调整范围Range of mechanical adjustment (°)	± 45
反射板厚度Thickness of reflector	≥ 2.5 mm
工作温度working temperature (°)	-55 ~ +75
承载风速wind speed (m/s)	55
天线罩材料Radome material	耐候PP
安装方式Installation mode	挂墙安装



SL16653E

2G/3.5G宽频2+2端口垂直大张角射灯天线

2G/3.5G broadband 2+2 port vertical large angle spotlight antenna



频段Frequency range (MHz) : 1710-2170/3400-3600

增益Gain : $\geq 9.5\text{dBi}/13.5\text{dBi}$

水平波瓣宽度Horizontal Beam width : $35^\circ/30^\circ$

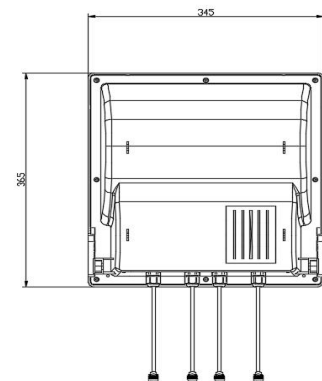
垂直波瓣宽度Vertical 3 dB beam width : $60^\circ/60^\circ$

电性能指标 Electrical Properties

频率范围Frequency range (MHz)	1710-2170	3400-3600
极化方式Polarization	$\pm 45^\circ$	$\pm 45^\circ$
增益Gain (dBi)	≥ 9.5	≥ 13.5
00水平波瓣宽度Horizontal Beam width ($^\circ$)	35 ± 10	30 ± 10
垂直波瓣宽度Vertical Beam Width ($^\circ$)	60 ± 10	60 ± 10
电压驻波比VSWR	≤ 1.4	≤ 1.4
前后辐射比Front to back ratio (dB)	≥ 23	≥ 23
隔离度Interband isolation (dB)	≥ 25	≥ 25
交叉极化比轴向Cross polarization ratio axial (dB)	≥ 15	≥ 15
交叉极化比 $\pm 15^\circ$ Cross polarization ratio $\pm 15^\circ$ (dB)	≥ 8	≥ 8
三阶互调Intermodulation IM3 ($2 \times 37\text{dBm}$)	≤ -97	/
平均功率容量Average power capacity (W)	≥ 150	
端口阻抗Impedance (Ω)	50	
接口方式Connector type	4*N型接头	

机械性能指标 Mechanical Properties

引线长度(外罩端面量取) Lead Length	$\geq 200\text{mm}$
天线尺寸Antenna dimensions (H x W x D) (mm)	$\leq 365 \times 345 \times 125$
天线重量Antenna weight (kg)	≤ 4
机械调整范围Range of mechanical adjustment ($^\circ$)	± 45
反射板厚度Thickness of reflector	$\geq 2.5\text{mm}$
工作温度working temperature ($^\circ$)	$-55 \sim +75$
承载风速wind speed (m/s)	55
天线罩材料Radome material	耐候PP
安装方式Installation mode	挂墙安装



SL16653F

2G/3.5G宽频2+2端口矩形波束射灯天线

2G/3.5G broadband 2+2 port rectangular beam spotlight antenna



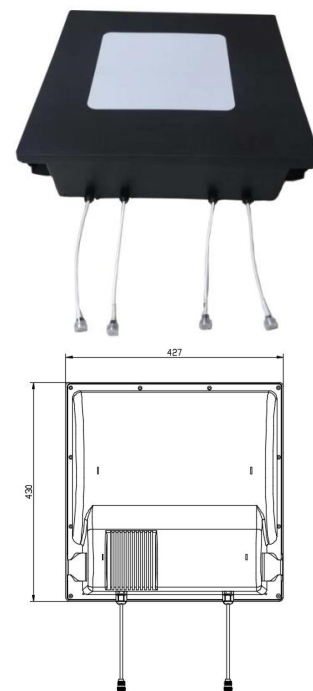
频段Frequency range (MHz) : 1710-2170/3400-3600 增益Gain : ≥ 13.5 dBi

水平波瓣宽度Horizontal Beam width : 35°/25° 垂直波瓣宽度Vertical 3 dB beam width : 35°



电性能指标 Electrical Properties	
频率范围Frequency range (MHz)	1710-2170/3400-3600
极化方式Polarization	$\pm 45^\circ$
增益Gain (dBi)	≥ 13.5
水平波瓣宽度Horizontal Beam width (°)	35 \pm 10/25 \pm 10
垂直波瓣宽度Vertical Beam Width (°)	35 \pm 10
电压驻波比VSWR	≤ 1.4
前后辐射比Front to back ratio (dB)	≥ 23
隔离度Interband isolation (dB)	≥ 25
交叉极化比轴向Cross polarization ratio axial (dB)	≥ 15
交叉极化比 $\pm 15^\circ$ Cross polarization ratio $\pm 15^\circ$ (dB)	≥ 8
三阶互调Intermodulation IM3 (2 \times 37dBm)	≤ -97 (2G)
平均功率容量Average power capacity (W)	≥ 150
端口阻抗Impedance (Ω)	50
接口方式Connector type	4*N型接头

机械性能指标 Mechanical Properties	
引线长度(外罩端面量取) Lead Length	≥ 200 mm
天线尺寸Antenna dimensions (H x W x D) (mm)	$\leq 430 \times 427 \times 130$
天线重量Antenna weight (kg)	≤ 5
机械调整范围Range of mechanical adjustment (°)	± 45
反射板厚度Thickness of reflector	≥ 2.5 mm
工作温度working temperature (°)	-55 ~ +75
承载风速wind speed (m/s)	55
天线罩材料Radome material	耐候PP
安装方式Installation mode	挂墙安装



SL15674A

高楼900/1800-D双频四口垂直面大张角天线

High rise 900/1800-D dual band four port vertical large angle antenna



频率Frequency range (MHz) : 885-960/1710-2675 增益Gain : $\geq 10.5\text{dBi}/13\text{dBi}$

水平波瓣宽度Horizontal Beam width : 20-35° /15-35°

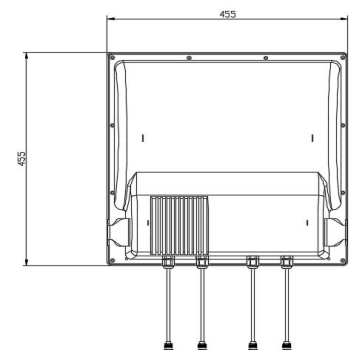
垂直面波瓣宽度Vertical 3 dB beam width : $\geq 60^\circ$

电性能指标 Electrical Properties

频率范围Frequency range (MHz)	885-960	1710-1830	1885-2025	2320-2675
增益Gain (dBi)	≥ 10.5	≥ 12	≥ 13	≥ 13
水平面波瓣宽度Horizontal Beam width (3dB)(°)	20-35	20-35	20-35	15-35
垂直面波瓣宽度Vertical Beam Width (3dB)(°)	≥ 60			
极化方式Polarization	$\pm 45^\circ$			
电压驻波比VSWR	≤ 1.5			
垂直面3dB波瓣交叉极化比3dB wave width cross polarization ratio in vertical plane (dB)	≥ 10			
水平面3dB波瓣交叉极化比Horizontal 3dB wave width cross polarization ratio (dB)	≥ 10			
端口隔离度Interband isolation (dB)	≥ 25			
前后辐射比Front to back ratio, $\pm 30^\circ$ (dB)	≥ 23			
平均功率容量Max. effective power per port (W)	≥ 50			
三阶交调 (@2*37dBm) Intermodulation IM3 (dBc)	$\leq -107\text{dBm}$ (@900M/1800M)			
二阶交调PIMD 2th (@2*37dBm)	$\leq -107\text{dBm}$ (@900M)			
端口阻抗Impedance (Ω)	50			

机械性能指标 Mechanical Properties

天线尺寸Antenna dimensions (H x W x D) (mm)	455x455x130
天线重量Antenna weight (kg)	3.93
天线罩材质Radome material	户外PP
工作温度Operational temperature (°C)	-40 ~ +70
接口形式Connector type	4xN-Female
安装架重量Weight of Mounting Kits (kg)	0.87
承载风速wind speed (m/s)	55
机械调整范围Range of mechanical adjustment (°)	上仰0-30 ; 下倾0-70
安装方式Installation mode	挂墙安装



SL15674B

高楼900/1800-D双频四口水平面大张角天线

High rise 900/1800-D dual band four port horizontal large angle antenna



频率Frequency range (MHz) : 885-960/1710-2675

增益Gain : $\geq 8\text{dBi}/13\text{dBi}$

水平波瓣宽度Horizontal Beam width : $\geq 65^\circ$

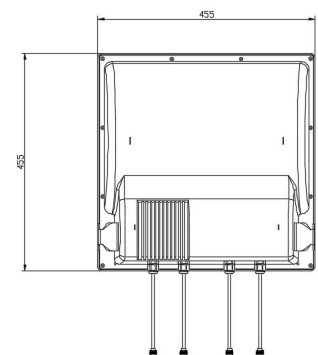
垂直面波瓣宽度Vertical 3 dB beam width : $\geq 55^\circ/15-35$

电性能指标 Electrical Properties

频率范围Frequency range (MHz)	885-960	1710-1830	1885-2025	2320-2675
增益Gain (dBi)	≥ 8	≥ 12	≥ 13	≥ 13
垂直面波瓣宽度Vertical Beam Width (3dB)(°)	≥ 55	20-35	20-35	15-35
水平面波瓣宽度Horizontal Beam width (3dB)(°)	≥ 65			
极化方式Polarization	$\pm 45^\circ$			
电压驻波比VSWR	≤ 1.5			
垂直面3dB波瓣交叉极化比3dB wave width cross polarization ratio in vertical plane (dB)	≥ 10			
水平面3dB波瓣交叉极化比Horizontal 3dB wave width cross polarization ratio (dB)	≥ 10			
端口隔离度Interband isolation (dB)	≥ 25			
前后辐射比Front to back ratio, $\pm 30^\circ$ (dB)	≥ 21		≥ 23	
平均功率容量Max. effective power per port (W)	≥ 50			
三阶交调 (@2*37dBm) Intermodulation IM3 (dBc)	$\leq -107\text{dBm}$ (@900M/1800M)			
二阶交调PIMD 2th (@2*37dBm)	$\leq -107\text{dBm}$ (@900M)			
端口阻抗Impedance (Ω)	50			

机械性能指标 Mechanical Properties

天线尺寸Antenna dimensions (H x W x D) (mm)	455x455x130
天线重量Antenna weight (kg)	3.54
天线罩材质Radome material	户外PP
工作温度Operational temperature (°C)	-40 ~ +70
接口形式Connector type	4xN-Female
安装架重量Weight of Mounting Kits (kg)	0.87
承载风速wind speed (m/s)	55
机械调整范围Range of mechanical adjustment (°)	上仰0-30 ; 下倾0-70
安装方式Installation mode	挂墙安装



SL12591A

室外分布系统900/1800-D四口双频天线射灯型

Outdoor distribution system 900/1800-D four port dual band antenna spotlight type



频率Frequency range (MHz) : 885-960/1710-2675

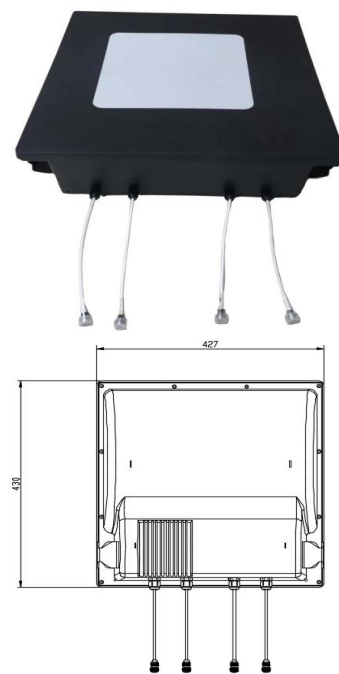
增益Gain : $\geq 8\text{dBi}/\geq 9\text{dBi}$ 水平波瓣宽度Horizontal Beam width : 65° 垂直面波瓣宽度Vertical 3 dB beam width : $\geq 50^\circ$

电性能指标 Electrical Properties

频率范围Frequency range (MHz)	885-960	1710-1830	1885-2370	2515-2675
增益Gain (dBi)	≥ 8	≥ 8	≥ 8.5	≥ 9
垂直面波瓣宽度Vertical Beam Width (3dB)($^\circ$)	≥ 50			
水平面波瓣宽度Horizontal Beam width (3dB)($^\circ$)	65 ± 5			
极化方式Polarization	$\pm 45^\circ$			
电压驻波比VSWR	≤ 1.5			
交叉极化比Cross polarization ratio (dB)	≥ 15			
交叉极化比(dB, $\pm 60^\circ$ 范围内) Cross polarization ratio (dB, within $\pm 60^\circ$)	≥ 8			
端口隔离度Interband isolation (dB)	≥ 25			
前后辐射比Front to back ratio, $\pm 30^\circ$ (dB)	≥ 20		≥ 22	
平均功率容量Max. effective power per port (W)	≥ 200			
三阶交调 (@ $2 \times 37\text{dBm}$) Intermodulation IM3 (dBc)	$\leq -107\text{dBm}$			
二阶反射交调 (@ $2 \times 37\text{dBm}$)	$\leq -107\text{dBm}$			
端口阻抗Impedance (Ω)	50			
波束 ± 60 边缘功率下降Beam ± 60 edge power reduction (dB)	12 ± 3			

机械性能指标 Mechanical Properties

天线尺寸Antenna dimensions (H x W x D) (mm)	430 \times 427 \times 130
天线重量Antenna weight (kg)	2.8
天线罩材质Radome material	户外PP
工作温度Operational temperature ($^\circ\text{C}$)	-40 ~ +70
接口形式Connector type	4 \times N-Female
安装架重量Weight of Mounting Kits (kg)	0.81
承载风速wind speed (m/s)	55
机械调整范围Range of mechanical adjustment ($^\circ$)	上仰0-30 ; 下倾0-70
安装方式Installation mode	挂墙安装



SL16653A

2G/3.5G宽频2+4端口垂直大张角射灯天线

2G/3.5G broadband 2+4 port vertical large angle spotlight antenna



频段Frequency range (MHz) : 1710-2170/3400-3600

增益Gain : $\geq 9.5\text{dBi}/13.5\text{dBi}$

水平波瓣宽度Horizontal Beam width : $35^\circ/30^\circ$

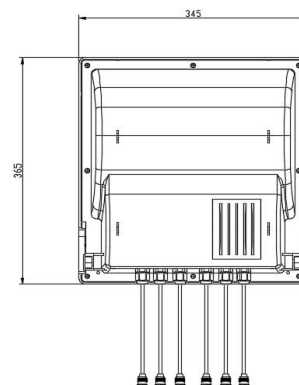
垂直波瓣宽度Vertical 3 dB beam width : $60^\circ/60^\circ$

电性能指标 Electrical Properties

频率范围Frequency range (MHz)	1710-2170	3400-3600
极化方式Polarization	$\pm 45^\circ$	$\pm 45^\circ$
增益Gain (dBi)	≥ 9.5	≥ 13.5
水平波瓣宽度Horizontal Beam width ($^\circ$)	35 ± 10	30 ± 10
垂直波瓣宽度Vertical Beam Width ($^\circ$)	60 ± 10	60 ± 10
电压驻波比VSWR	≤ 1.4	≤ 1.4
前后辐射比Front to back ratio (dB)	≥ 23	≥ 23
隔离度Interband isolation (dB)	≥ 25	≥ 25
交叉极化比轴向Cross polarization ratio axial (dB)	≥ 15	≥ 15
交叉极化比 $\pm 15^\circ$ Cross polarization ratio $\pm 15^\circ$ (dB)	≥ 8	≥ 8
三阶互调Intermodulation IM3 ($2 \times 37\text{dBm}$)	≤ -97	/
平均功率容量Average power capacity (W)	≥ 150	
端口阻抗Impedance (Ω)	50	
接口方式Connector type	6*N型接头	

机械性能指标 Mechanical Properties

引线长度(外罩端面量取) Lead Length	$\geq 200\text{mm}$
天线尺寸Antenna dimensions (H x W x D) (mm)	$\leq 365 \times 345 \times 125$
天线重量Antenna weight (kg)	≤ 4
机械调整范围Range of mechanical adjustment ($^\circ$)	± 45
反射板厚度Thickness of reflector	$\geq 2.5\text{mm}$
工作温度working temperature ($^\circ$)	$-55 \sim +75$
承载风速wind speed (m/s)	55
天线罩材料Radome material	耐候PP
安装方式Installation mode	挂墙安装



SL15907E

2G/3.5G宽频2+4端口矩形波束射灯天线

2G/3.5G broadband 2+4 port rectangular beam spotlight antenna



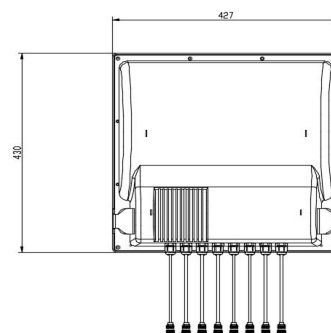
频段Frequency range (MHz) : 1710-2170/3400-3600 增益Gain : ≥ 13.5 dBi

水平波瓣宽度Horizontal Beam width : 35° 垂直波瓣宽度Vertical 3 dB beam width : 35°



电性能指标 Electrical Properties	
频率范围Frequency range (MHz)	1710-2170/3400-3600
极化方式Polarization	$\pm 45^\circ$
增益Gain (dBi)	≥ 13.5
水平波瓣宽度Horizontal Beam width (°)	35 ± 10
垂直波瓣宽度Vertical Beam Width (°)	35 ± 10
电压驻波比VSWR	≤ 1.4
前后辐射比Front to back ratio (dB)	≥ 23
隔离度Interband isolation (dB)	≥ 25
交叉极化比轴向Cross polarization ratio axial (dB)	≥ 15
交叉极化比 $\pm 15^\circ$ Cross polarization ratio $\pm 15^\circ$ (dB)	≥ 8
三阶互调Intermodulation IM3 (2 \times 37dBm)	≤ -97 (2G)
平均功率容量Average power capacity (W)	≥ 150
端口阻抗Impedance (Ω)	50
接口方式Connector type	6*N型接头

机械性能指标 Mechanical Properties	
引线长度(外罩端面量取) Lead Length	≥ 200 mm
天线尺寸Antenna dimensions (H x W x D) (mm)	$\leq 430 \times 427 \times 130$
天线重量Antenna weight (kg)	≤ 5
机械调整范围Range of mechanical adjustment (°)	± 45
反射板厚度Thickness of reflector	≥ 2.5 mm
工作温度working temperature (°)	-55 ~ +75
承载风速wind speed (m/s)	55
天线罩材料Radome material	耐候PP
安装方式Installation mode	挂墙安装



SL16652S

800M/2G宽频4+4端口垂直大张角射灯天线

800M/2G broadband 4+4 port vertical large angle spotlight antenna



频段Frequency range (MHz) : 820-960/1710-2170

增益Gain : ≥ 9.5 dBi

水平波瓣宽度Horizontal Beam width : 35°

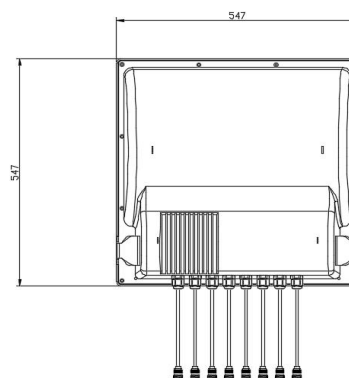
垂直波瓣宽度Vertical 3 dB beam width : 60°

电性能指标 Electrical Properties

电性能指标 Electrical Properties	820-960	1710-2170
频率范围Frequency range (MHz)	820-960	1710-2170
极化方式Polarization	$\pm 45^\circ$	
增益Gain (dBi)	≥ 9.5	
水平波瓣宽度Horizontal Beam width ($^\circ$)	35 ± 10	
垂直波瓣宽度Vertical Beam Width ($^\circ$)	60 ± 10	
电压驻波比VSWR	≤ 1.4	
前后辐射比Front to back ratio (dB)	≥ 23	
隔离度Interband isolation (dB)	≥ 25	
交叉极化比轴向Cross polarization ratio axial (dB)	≥ 15	
交叉极化比 $\pm 15^\circ$ Cross polarization ratio $\pm 15^\circ$ (dB)	≥ 10	
三阶互调Intermodulation IM3 (2×37 dBm)	≤ -97	
平均功率容量Average power capacity (W)	≥ 150	
端口阻抗Impedance (Ω)	50	
接口方式Connector type	8*N型接头	

机械性能指标 Mechanical Properties

引线长度(外罩端面量取) Lead Length	≥ 200 mm
天线尺寸Antenna dimensions (H x W x D) (mm)	$\leq 547 \times 547 \times 190$
天线重量Antenna weight (kg)	≤ 8
机械调整范围Range of mechanical adjustment ($^\circ$)	± 45
反射板厚度Thickness of reflector	≥ 2.5 mm
工作温度working temperature ($^\circ$)	$-55 \sim +75$
承载风速wind speed (m/s)	55
天线罩材料Radome material	耐候PP
安装方式Installation mode	挂墙安装



SL16652T

800M/2G宽频4+4端口垂直大张角射灯天线

800M/2G broadband 4+4 port vertical large angle spotlight antenna



频段Frequency range (MHz) : 820-960/1710-2170 增益Gain : $\geq 9.5\text{dBi}/12.5\text{dBi}$

水平波瓣宽度Horizontal Beam width : $35^\circ/25^\circ$

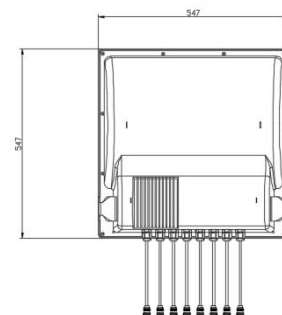
垂直波瓣宽度Vertical 3 dB beam width : $60^\circ/65^\circ$

电性能指标 Electrical Properties

频率范围Frequency range (MHz)	820-960	1710-2170
极化方式Polarization	$\pm 45^\circ$	$\pm 45^\circ$
增益Gain (dBi)	≥ 9.5	≥ 12.5
水平波瓣宽度Horizontal Beam width ($^\circ$)	35 ± 10	25 ± 10
垂直波瓣宽度Vertical Beam Width ($^\circ$)	60 ± 10	65 ± 10
电压驻波比VSWR	≤ 1.4	
前后辐射比Front to back ratio (dB)	≥ 23	
隔离度Interband isolation (dB)	≥ 25	
交叉极化比轴向Cross polarization ratio axial (dB)	≥ 15	
交叉极化比 $\pm 15^\circ$ Cross polarization ratio $\pm 15^\circ$ (dB)	≥ 10	
三阶互调Intermodulation IM3 ($2 \times 37\text{dBm}$)	≤ -97	
平均功率容量Average power capacity (W)	≥ 150	
端口阻抗Impedance (Ω)	50	
接口方式Connector type	8*N型接头	

机械性能指标 Mechanical Properties

引线长度(外罩端面量取) Lead Length	$\geq 200\text{mm}$
天线尺寸Antenna dimensions (H x W x D) (mm)	$\leq 547 \times 547 \times 190$
天线重量Antenna weight (kg)	≤ 8
机械调整范围Range of mechanical adjustment ($^\circ$)	± 45
反射板厚度Thickness of reflector	$\geq 2.5\text{mm}$
工作温度working temperature ($^\circ$)	$-55 \sim +75$
承载风速wind speed (m/s)	55
天线罩材料Radome material	耐候PP
安装方式Installation mode	挂墙安装



SL16653C

2G/3.5G宽频4+4端口垂直大张角射灯天线

2G/3.5G broadband 4+4 port vertical large angle spotlight antenna



频段Frequency range (MHz) : 1710-2170/3400-3600

增益Gain : $\geq 9.5\text{dBi}/13.5\text{dBi}$

水平波瓣宽度Horizontal Beam width : $35^\circ/30^\circ$

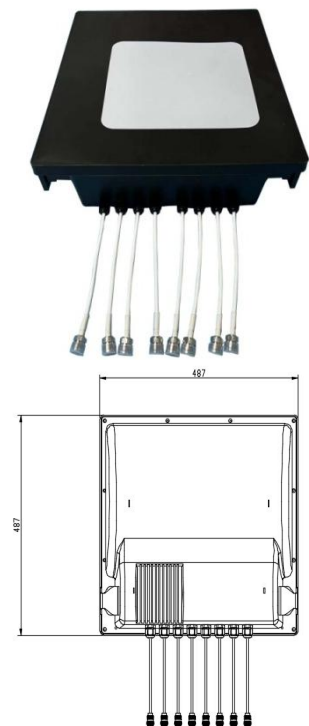
垂直波瓣宽度Vertical 3 dB beam width : $60^\circ/60^\circ$

电性能指标 Electrical Properties

电性能指标 Electrical Properties	1710-2170	3400-3600
频率范围Frequency range (MHz)	1710-2170	3400-3600
极化方式Polarization	$\pm 45^\circ$	$\pm 45^\circ$
增益Gain (dBi)	≥ 9.5	≥ 13.5
00水平波瓣宽度Horizontal Beam width ($^\circ$)	35 ± 10	30 ± 10
垂直波瓣宽度Vertical Beam Width ($^\circ$)	60 ± 10	60 ± 10
电压驻波比VSWR	≤ 1.4	≤ 1.4
前后辐射比Front to back ratio (dB)	≥ 23	≥ 23
隔离度Interband isolation (dB)	≥ 25	≥ 25
交叉极化比轴向Cross polarization ratio axial (dB)	≥ 15	≥ 15
交叉极化比 $\pm 15^\circ$ Cross polarization ratio $\pm 15^\circ$ (dB)	≥ 8	≥ 8
三阶互调Intermodulation IM3 ($2 \times 37\text{dBm}$)	≤ -97	/
平均功率容量Average power capacity (W)	≥ 150	
端口阻抗Impedance (Ω)	50	
接口方式Connector type	8*N型接头	

机械性能指标 Mechanical Properties

引线长度(外罩端面量取) Lead Length	$\geq 200\text{mm}$
天线尺寸Antenna dimensions (H x W x D) (mm)	$\leq 487 \times 487 \times 145$
天线重量Antenna weight (kg)	≤ 6
机械调整范围Range of mechanical adjustment ($^\circ$)	± 45
反射板厚度Thickness of reflector	$\geq 2.5\text{mm}$
工作温度working temperature ($^\circ$)	$-55 \sim +75$
承载风速wind speed (m/s)	55
天线罩材料Radome material	耐候PP
安装方式Installation mode	挂墙安装



SL16646C

高增益新型楼宇天线

High gain new building antenna



频段Frequency range (MHz) : 1710-2170/2300-2690

增益Gain : $\geq 14\text{dBi}$

水平波瓣宽度Horizontal Beam width : 13°

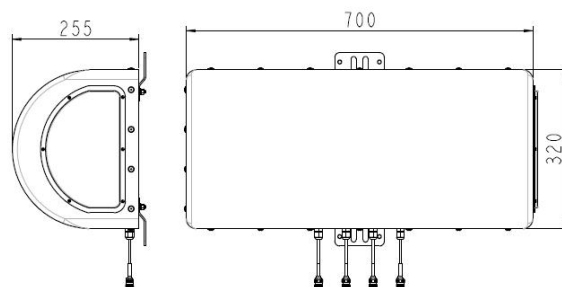
垂直波瓣宽度Vertical 3 dB beam width : $60^\circ/55^\circ$

电性能指标 Electrical Properties

频率范围Frequency range (MHz)	1710-2170	2300-2690
极化方式Polarization	$\pm 45^\circ$	
增益Gain (dBi)	$\geq 14 \pm 0.5$	
水平面半功率波束宽度Horizontal 3 dB beam width ($^\circ$)	≥ 13	≥ 13
垂直面半功率波束宽度Vertical 3 dB beam width ($^\circ$)	≥ 60	≥ 55
驻波比VSWR	< 1.5	
端口隔离度isolation (dB)	≥ 25	
前后比Front to back ratio, $\pm 30^\circ$ (dB)	> 23	
交叉极化比Cross polar ratio, 0° (dB)	> 15	
三阶互调Intermodulation IM3 (dBc)	≤ -150 (2 x 43 dBm)	
功率容限Max. effective power per port (W)	100	
阻抗Impedance (Ω)	50	

机械性能指标 Mechanical Properties

天线尺寸Antenna dimensions (H x W x D)(mm)	700x320x255
天线重量Antenna weight (kg)	5.7
天线罩材质Radome material	ABS
天线罩颜色Radome colour	浅灰色Light grey
工作温度Operational temperature ($^\circ\text{C}$)	-40 to $+65$
防护等级Protection grade	IP55
安装方式Mounting Type	抱杆安装/墙壁安装 (Pole mounting/Wall installation)
抱杆直径Bracket Diameter(mm)	$\Phi 35-\Phi 70$
最大工作风速Max. operational wind speed (km/h)	/
水平方位角可调范围($^\circ$) (手动电调) Adjustable range of horizontal azimuth (manual electric adjustment)	$-10 \sim +10$
垂直倾角可调范围($^\circ$) (内置) Adjustable range of vertical Angle ($^\circ$) (built in)	$-30 \sim +30$
极限风速Survival wind speed (km/h)	55
接头类型Connector	4xN-Female
接地方式Grounding	直流接地DC grounding



SL15677A

隧道900-D全频2口天线

Tunnel 900-D full frequency 2-port antenna



频率Frequency range (MHz) : 885-960/1710-2675

增益Gain : $\geq 13\text{dBi}/16.5\text{dBi}$ 水平波瓣宽度Horizontal Beam width : $\leq 35^\circ/\leq 25^\circ$ 垂直面波瓣宽度Vertical 3 dB beam width : $\leq 35^\circ/\leq 25^\circ$

电性能指标 Electrical Properties

电性能指标 Electrical Properties	885-960	1710-1830	1885-2675
频率范围Frequency range (MHz)	885-960	1710-1830	1885-2675
增益Gain (dBi)	≥ 13	≥ 16	≥ 16.5
垂直面波瓣宽度Vertical Beam Width (3dB)(°)	≤ 35	≤ 25	
水平面波瓣宽度Horizontal Beam width (3dB)(°)	≤ 35	≤ 25	
极化方式Polarization	$\pm 45^\circ$		
电压驻波比VSWR	$\leq 1.5 : 1$		
垂直面3dB波瓣交叉极化比3dB wave width cross polarization ratio in vertical plane (dB)	≥ 10		
水平面3dB波瓣交叉极化比Horizontal 3dB wave width cross polarization ratio (dB)	≥ 10		
端口隔离度Interband isolation (dB)	≥ 25		
前后辐射比Front to back ratio, $\pm 30^\circ$ (dB)	≥ 23		
平均功率容量Max. effective power per port (W)	≥ 50		
三阶交调 (@2*37dBm) Intermodulation IM3 (dBc)	$\leq -107\text{dBm}$ (@900M/1800M)		
二阶交调PIMD 2th (@2*37dBm)	$\leq -107\text{dBm}$ (@900M)		
端口阻抗Impedance (Ω)	50		

机械性能指标 Mechanical Properties

天线尺寸Antenna dimensions (H x W x D) (mm)	450×450×123
天线重量Antenna weight (kg)	6.09
天线罩材质Radome material	ABS
工作温度Operational temperature (°C)	-40 ~ +70
接口形式Connector type	2×7/16DIN
安装架重量Weight of Mounting Kits (kg)	2.26
承载风速wind speed (m/s)	55
机械调整范围Range of mechanical adjustment (°)	0
抱杆直径Diameter of Installation pole (mm)	$\Phi 40 \sim \Phi 80$



SL15677G

电梯900-D全频2口天线

Elevator 900-D full frequency 2-port antenna



频率Frequency range (MHz) : 885-960/1710-2675

增益Gain : $\geq 13\text{dBi}/16.5\text{dBi}$ 水平波瓣宽度Horizontal Beam width : $\leq 35^\circ/\leq 25^\circ$ 垂直面波瓣宽度Vertical 3 dB beam width : $\leq 35^\circ/\leq 25^\circ$

电性能指标 Electrical Properties

电性能指标 Electrical Properties	885-960	1710-1830	1885-2675
频率范围Frequency range (MHz)	885-960	1710-1830	1885-2675
增益Gain (dBi)	≥ 13	≥ 16	≥ 16.5
垂直面波瓣宽度Vertical Beam Width (3dB)(°)	≤ 35	≤ 25	
水平面波瓣宽度Horizontal Beam width (3dB)(°)	≤ 35	≤ 25	
极化方式Polarization	$\pm 45^\circ$		
电压驻波比VSWR	$\leq 1.5 : 1$		
垂直面3dB波瓣交叉极化比3dB wave width cross polarization ratio in vertical plane (dB)	≥ 10		
水平面3dB波瓣交叉极化比Horizontal 3dB wave width cross polarization ratio (dB)	≥ 10		
端口隔离度Interband isolation (dB)	≥ 25		
前后辐射比Front to back ratio, $\pm 30^\circ$ (dB)	≥ 23		
平均功率容量Max. effective power per port (W)	≥ 50		
三阶交调 (@2*37dBm) Intermodulation IM3 (dBc)	$\leq -107\text{dBm}$ (@900M/1800M)		
二阶交调PIMD 2th (@2*37dBm)	$\leq -107\text{dBm}$ (@900M)		
端口阻抗Impedance (Ω)	50		

机械性能指标 Mechanical Properties

天线尺寸Antenna dimensions (H x W x D) (mm)	450×450×123
天线重量Antenna weight (kg)	6.09
天线罩材质Radome material	ABS
工作温度Operational temperature (°C)	-40 ~ +70
接口形式Connector type	2×7/16DIN
安装架重量Weight of Mounting Kits (kg)	2.26
承载风速wind speed (m/s)	55
机械调整范围Range of mechanical adjustment (°)	0
抱杆直径Diameter of Installation pole (mm)	$\Phi 40 \sim \Phi 80$



帮助客户成功 成就无限沟通

Developing with our customers Connecting the world the wireless way



股票代码：002446